

THERMA-TRU[®] DOORS

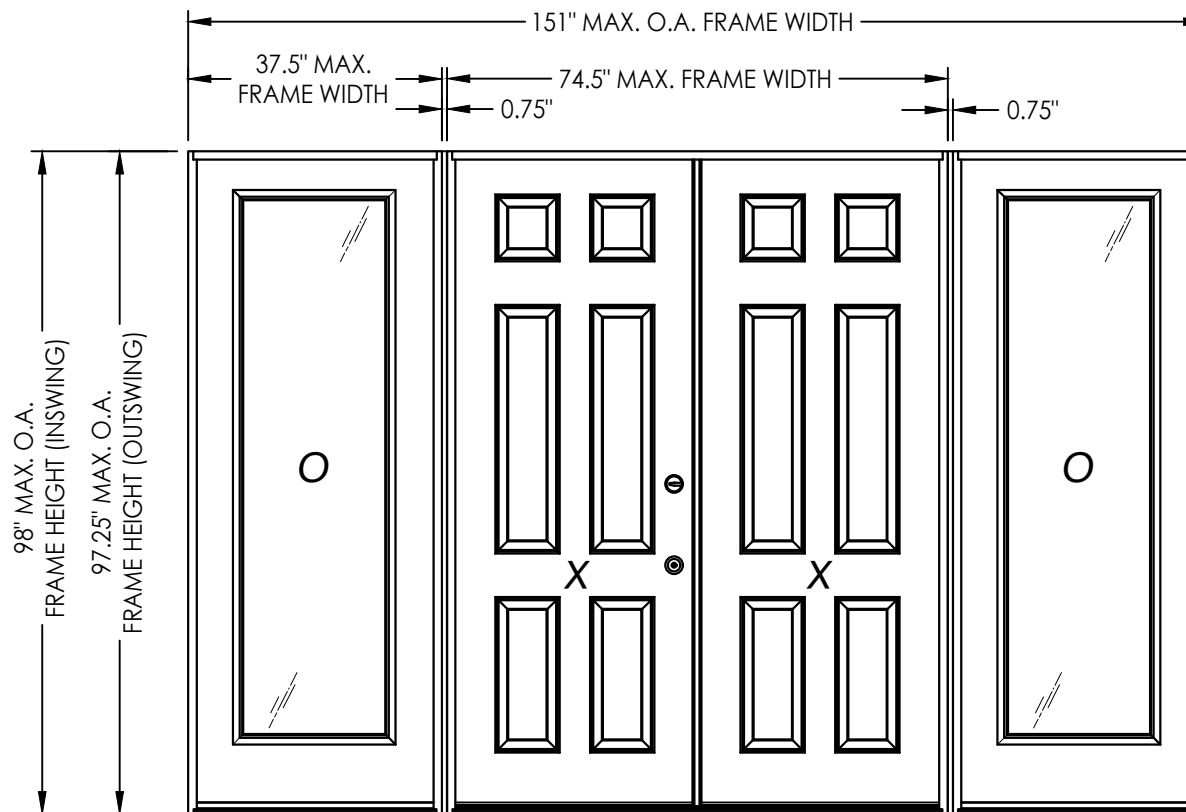
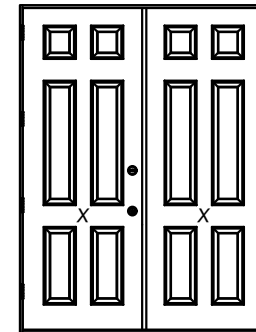
Classic-Craft[®]

OPAQUE FIBERGLASS DOUBLE DOOR w/ or w/out SIDELITES IN SWING/OUT SWING "IMPACT"

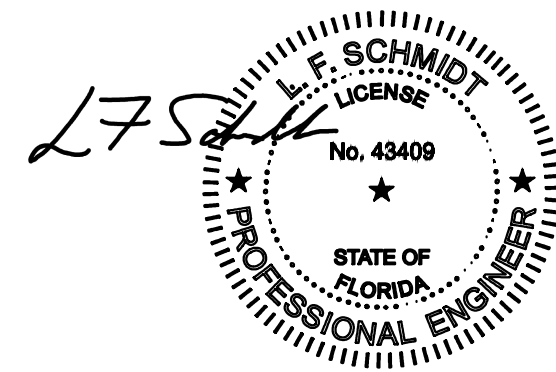
GENERAL NOTES

1. This product has been evaluated and is in compliance with the 8th Edition (2023) Florida Building Code (FBC) structural requirements excluding the "High Velocity Hurricane Zone" (HVHZ).
2. Product anchors shall be as listed and spaced as shown on details. Anchor embedment to base material shall be beyond wall dressing or stucco.
3. When used in areas requiring wind borne debris protection, this product complies with FBC Sections 1609.1.2 & R301.2.1.2 and does not require an impact resistant covering. This product meets missile level "D" and excludes Wind Zone 4 as defined in ASTM E 1996 and FBC Sections 1609.1.2.2 & R301.2.1.2.1.
4. For 2x stud framing construction, anchoring of these units shall be the same as that shown for 2x buck masonry construction.
5. Site conditions that deviate from the details of this drawing require further engineering analysis by a licensed engineer or registered architect.

TABLE OF CONTENTS	
SHEET #	DESCRIPTION
1	Typical Elevations, Design Pressures & General Notes
2	Door Panel Details
3	Sidelite Panel Details
4	Elevations
5	Horizontal & Vertical Cross Sections (2X Buck)
6	Horizontal & Vertical Cross Sections (1X Buck)
7	Horizontal & Vertical Cross Sections (Direct to Masonry)
8	Vertical Cross Sections (Thresholds)
9	Buck Anchoring
10	Frame Anchoring
11	Hardware Details
12	Components
13	Bill of Materials



CONFIGURATION	DESIGN PRESSURE (PSF) IN SWING		DESIGN PRESSURE (PSF) OUT SWING	
	POSITIVE	NEGATIVE	POSITIVE	NEGATIVE
XX, OXXO	+50.0	-50.0	+50.0	-50.0



This item has been digitally signed and sealed by L. F. Schmidt, P.E. on the date adjacent to the seal. Printed copies of this document are not considered signed and sealed and the signature must be verified on any electronic copies.

THIS PRODUCT APPROVAL IS VALID ONLY FOR THE STATE OF FLORIDA

Documents Prepared By:
Lyndon F. Schmidt
P.E. No. 43409

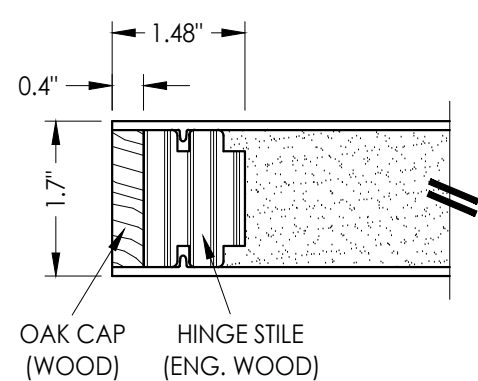
R.W.
BUILDING CONSULTANTS, INC.
P.O. Box 230, Valrico, FL 33595
Phone No.: 813.659.9197
FBPE Registry No. 9813

PRODUCT:
THERMA-TRU
FIBERGLASS DOOR

PART OR ASSEMBLY:
TYPICAL ELEVATION, DESIGN
PRESSURES & GENERAL NOTES

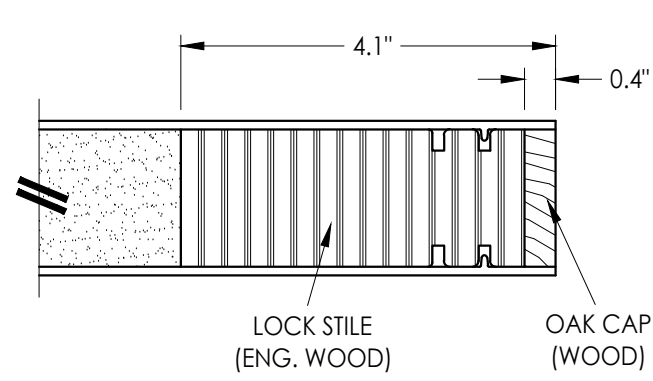
NO.	DATE	BY	REVISIONS
2	8/08/23	LFS	UPDATE TO 8TH ED. (2023) FBC
1	7/23/20	LFS	UPDATE TO 7TH ED (2020) FBC

DATE: 4/13/20
SCALE: N.T.S.
DWG. BY: RW
CHK. BY: LFS
DRAWING NO.: FL-23956.6
SHEET 1 OF 13

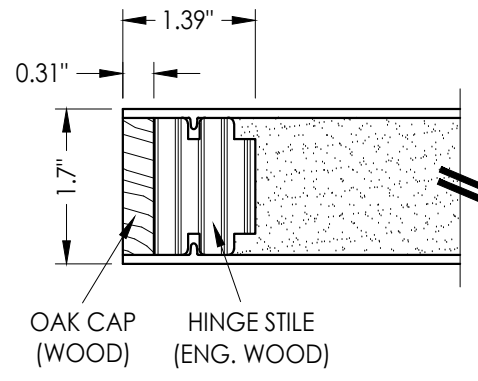


OAK CAP (WOOD)
HINGE STILE (ENG. WOOD)

1
2 HORIZONTAL CROSS SECTION

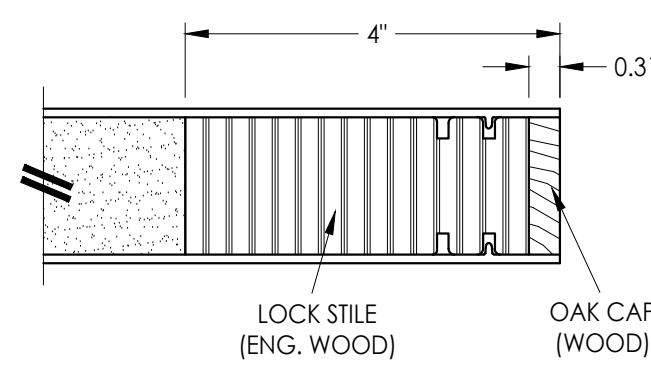


LOCK STILE (ENG. WOOD)
OAK CAP (WOOD)

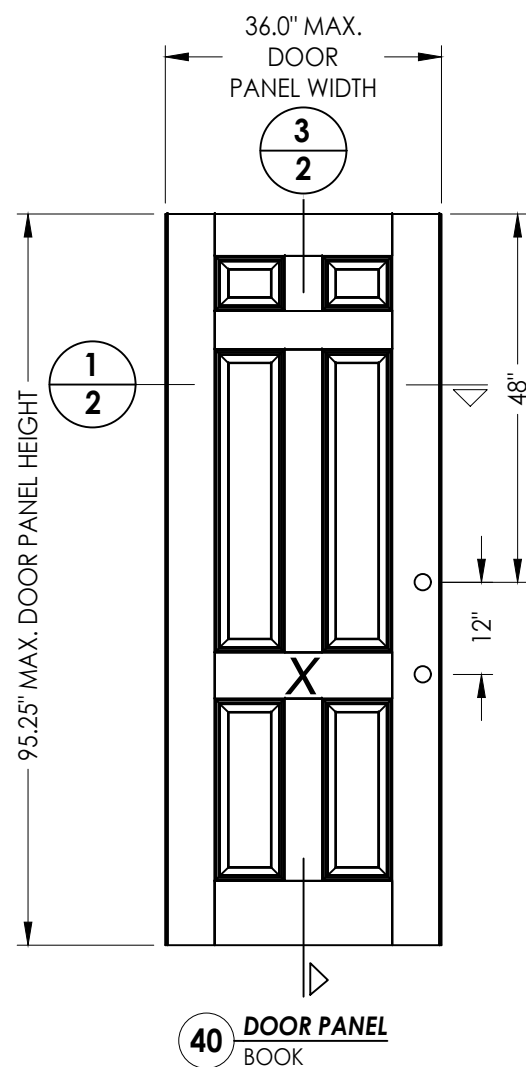


OAK CAP (WOOD)
HINGE STILE (ENG. WOOD)

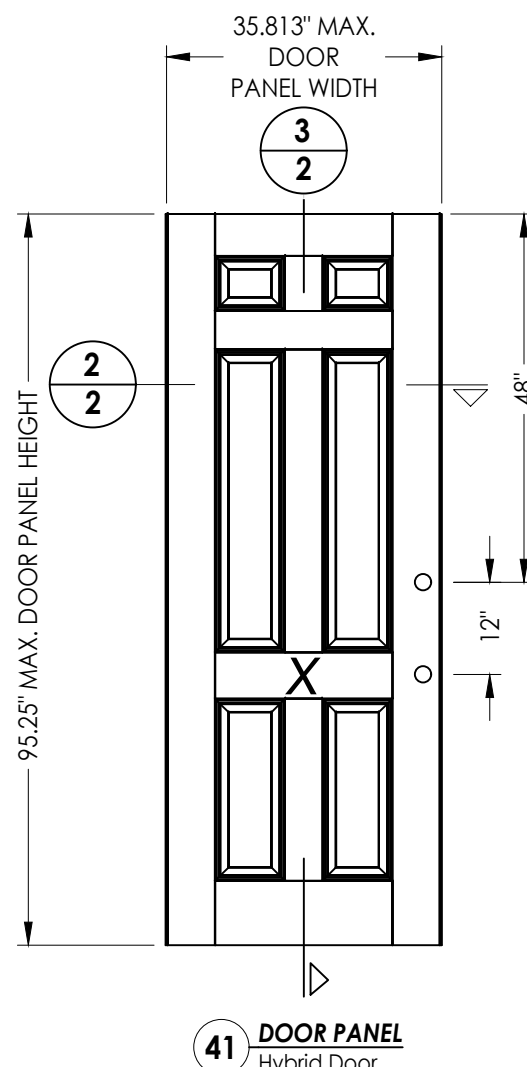
2
2 HORIZONTAL CROSS SECTION



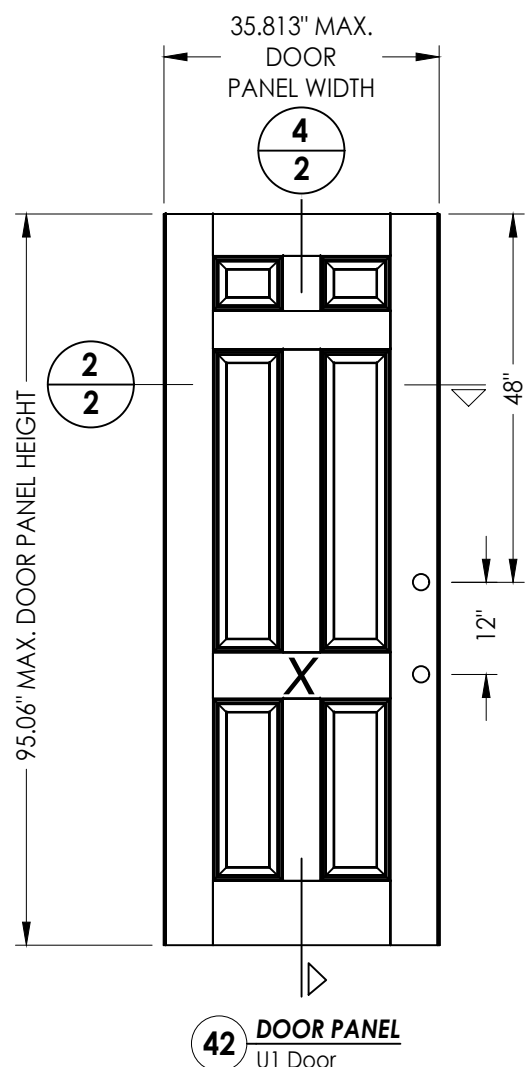
LOCK STILE (ENG. WOOD)
OAK CAP (WOOD)



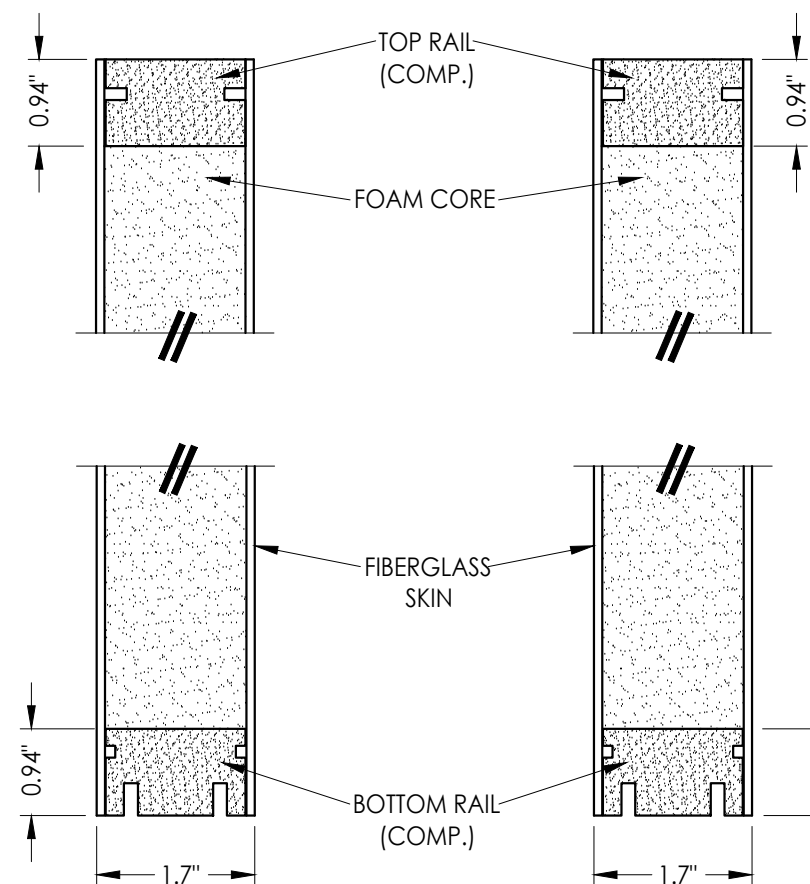
40 DOOR PANEL
BOOK



41 DOOR PANEL
Hybrid Door



42 DOOR PANEL
UI Door



3
2 VERTICAL CROSS SECTION

4
2 VERTICAL CROSS SECTION

"Classic-Craft" SERIES DOOR PANEL

FIBERGLASS DOOR SKIN: 0.125" MIN. THK.
FOAM CORE: POLYURETHANE FOAM (1.9 PCF MIN.)

Documents Prepared By:
Lyndon F. Schmidt
P.E. No. 43409

RW BUILDING CONSULTANTS, INC.
P.O. Box 230, Valrico, FL 33595
Phone No.: 813.659.9197
FBPE Registry No. 9813

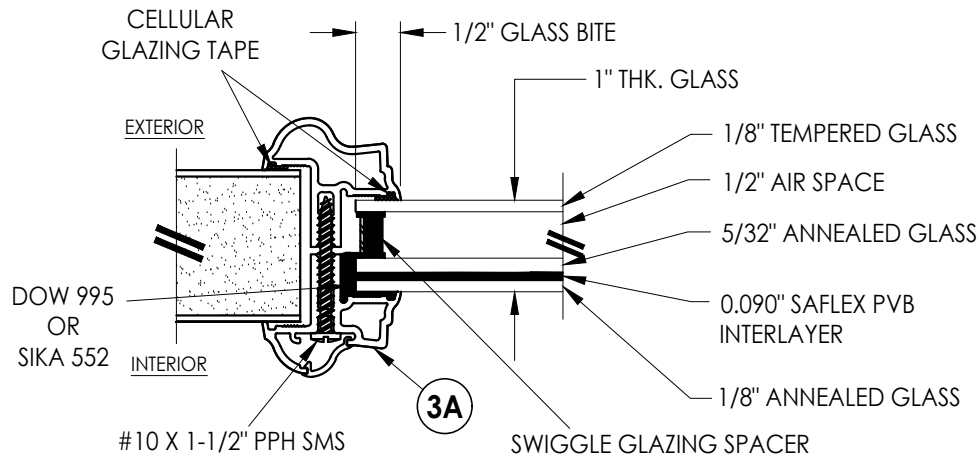
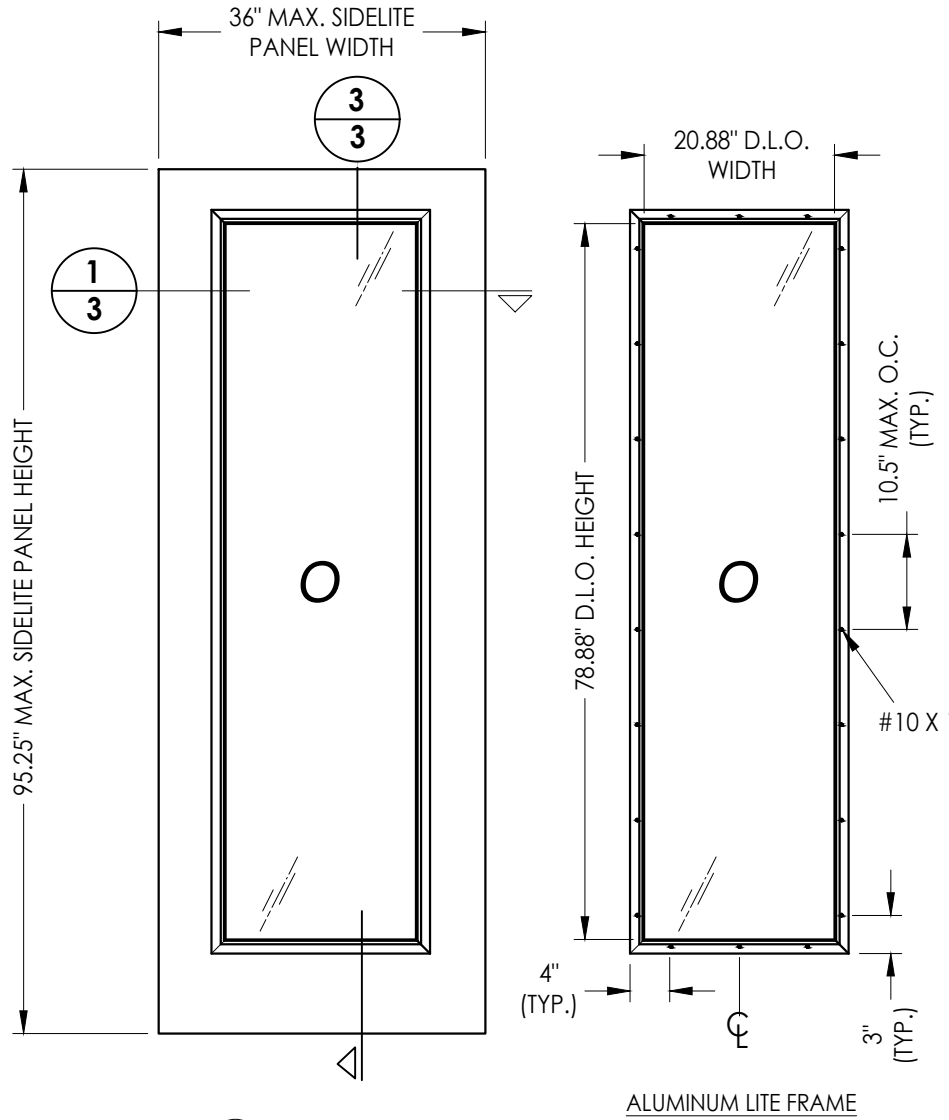
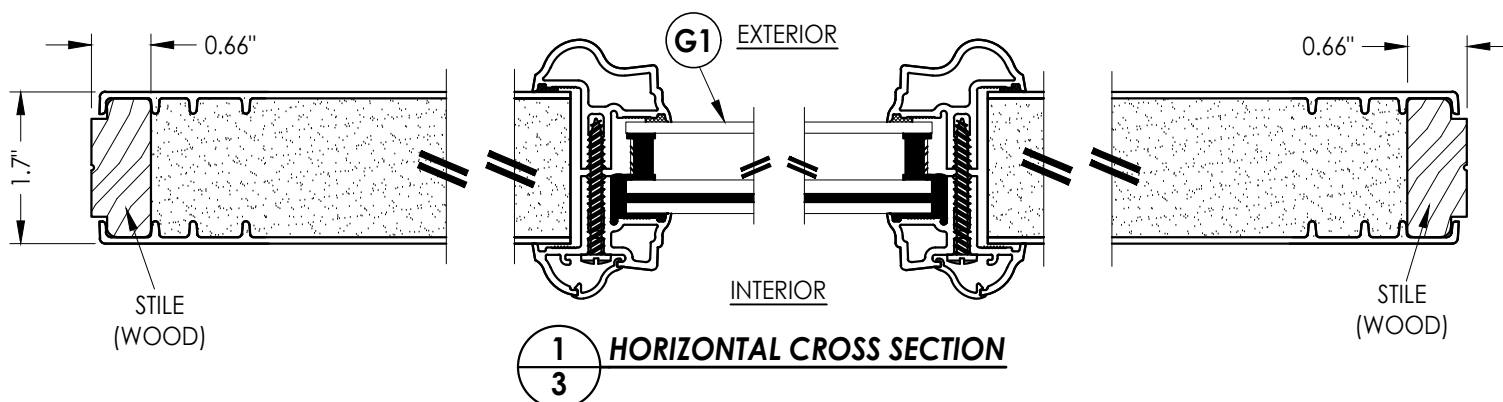
PRODUCT: THERMA-TRU
FIBERGLASS DOOR

PART OR ASSEMBLY:
DOOR PANEL DETAILS

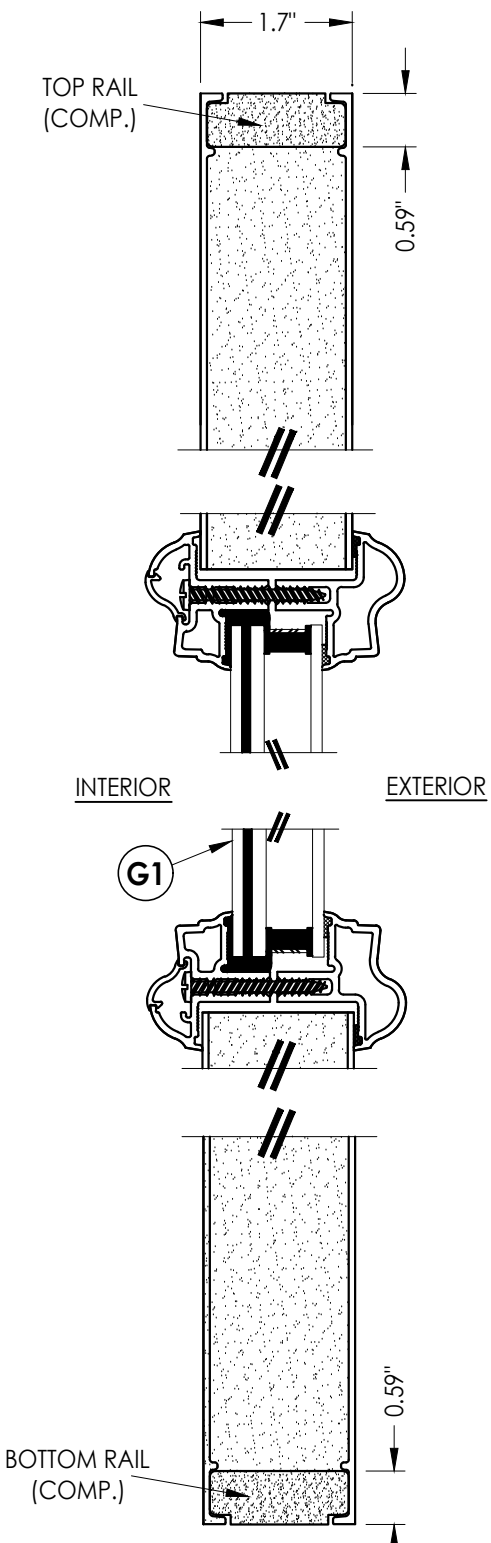
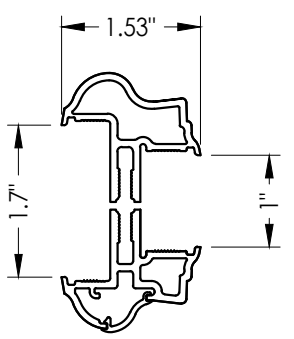
NO.	DATE	REVISIONS	BY
2	8/08/23	UPDATE TO 8TH ED. (2023)	LFS
1	7/23/20	UPDATE TO 7TH ED (2020)	LFS

DATE: 4/13/20
SCALE: N.T.S.
DWG. BY: RW
CHK. BY: LFS
DRAWING NO.: FL-23956.6
SHEET 2 OF 13

Z:\2023 FBC Drawings\Therma-Tru\FL-23956 R2\FL-23956.4-6.dwg



G1 GLAZING DETAIL
Aluminum Impact Lite Frame Door Panels & Sidelites



"Classic-Craft" SERIES SIDELITE PANEL
FIBERGLASS DOOR SKIN: 0.095" MIN. THK.
FOAM CORE: POLYURETHANE FOAM (1.9 PCF MIN.)

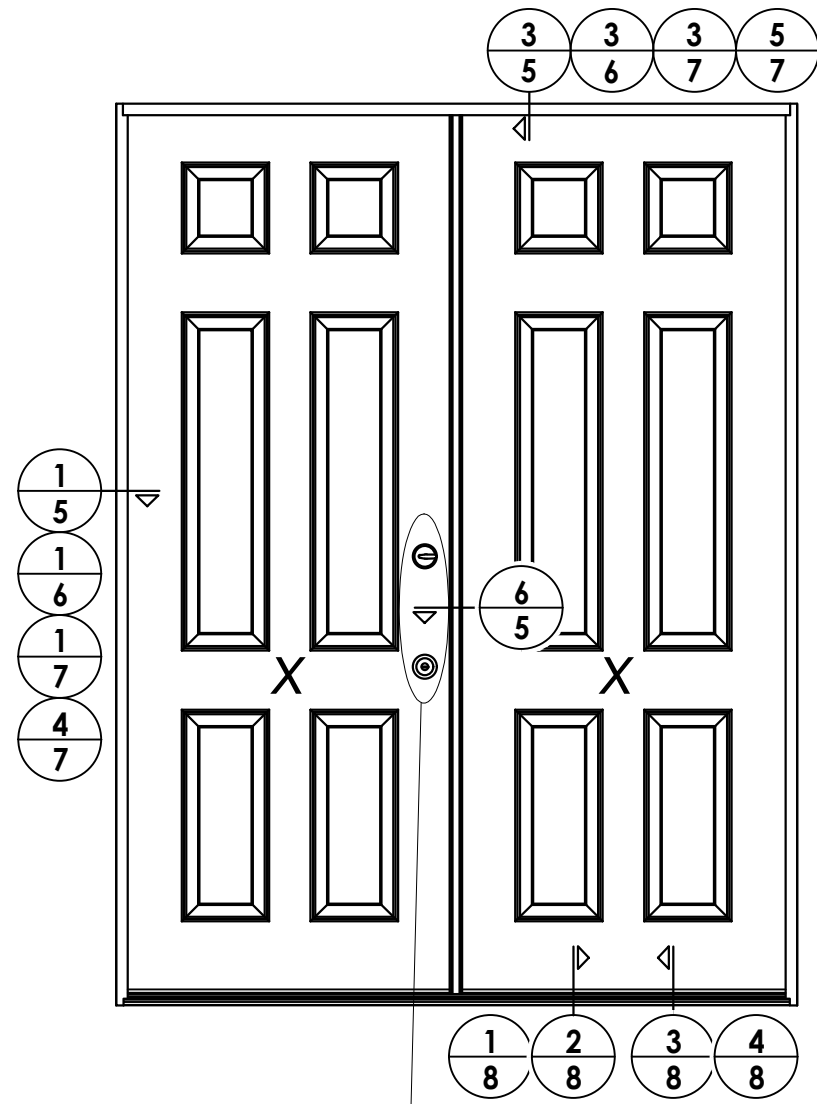
Documents Prepared By:
Lyndon F. Schmidt
P.E. No. 43409
RW
BUILDING CONSULTANTS, INC.
P.O. Box 230, Valrico, FL 33595
Phone No.: 813.659.9197
FBPE Registry No. 9813

PRODUCT: THERMA-TRU FIBERGLASS DOOR
PART OR ASSEMBLY: SIDELITE PANEL DETAILS

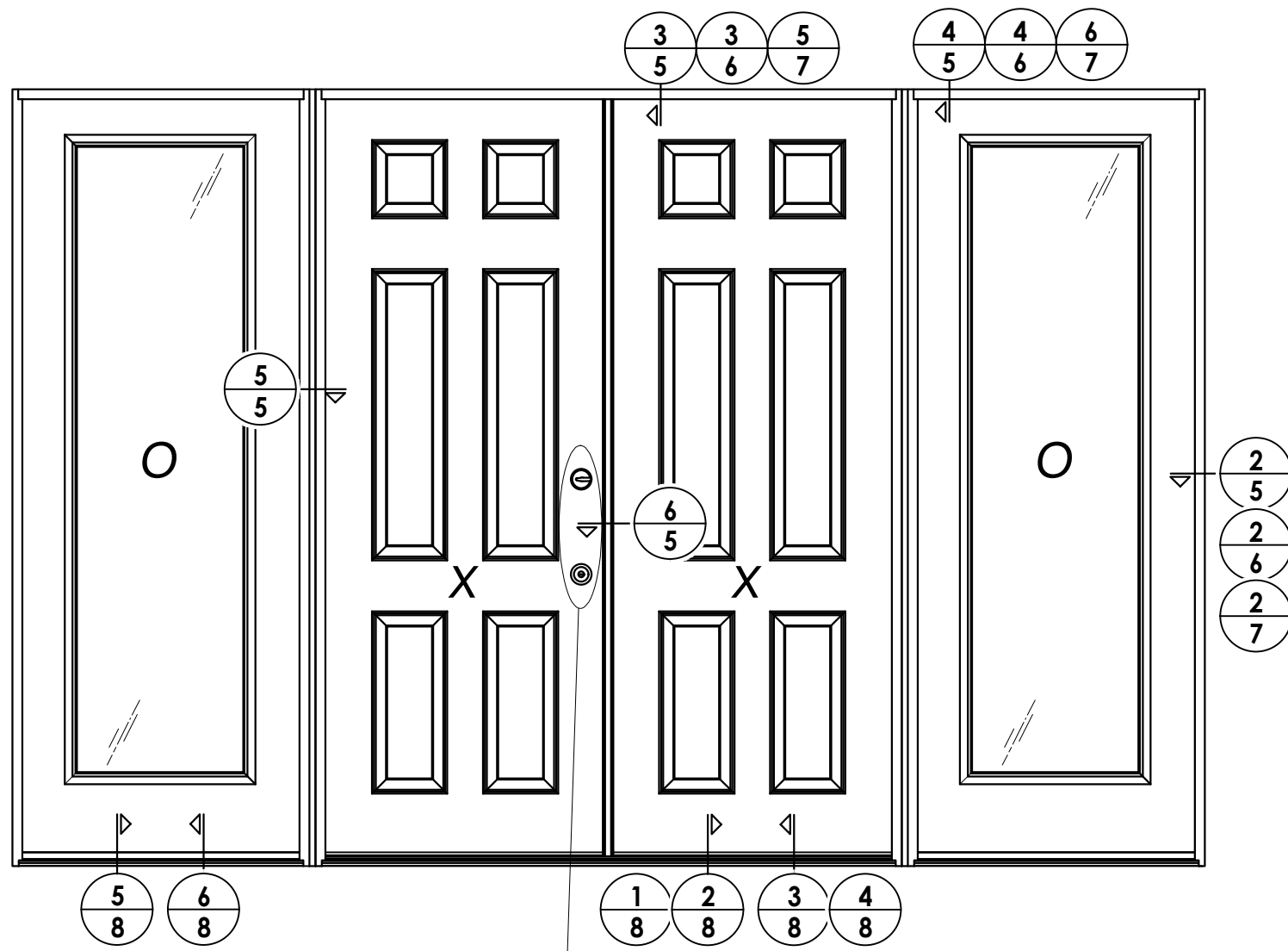
NO.	DATE	REVISIONS	BY
2	8/08/23	UPDATE TO 8TH ED. (2023) FBC	LFS
1	7/23/20	UPDATE TO 7TH ED. (2020) FBC	LFS

DATE: 4/13/20
SCALE: N.T.S.
DWG. BY: RW
CHK. BY: LFS
DRAWING NO.: FL-23956.6
SHEET 3 OF 13

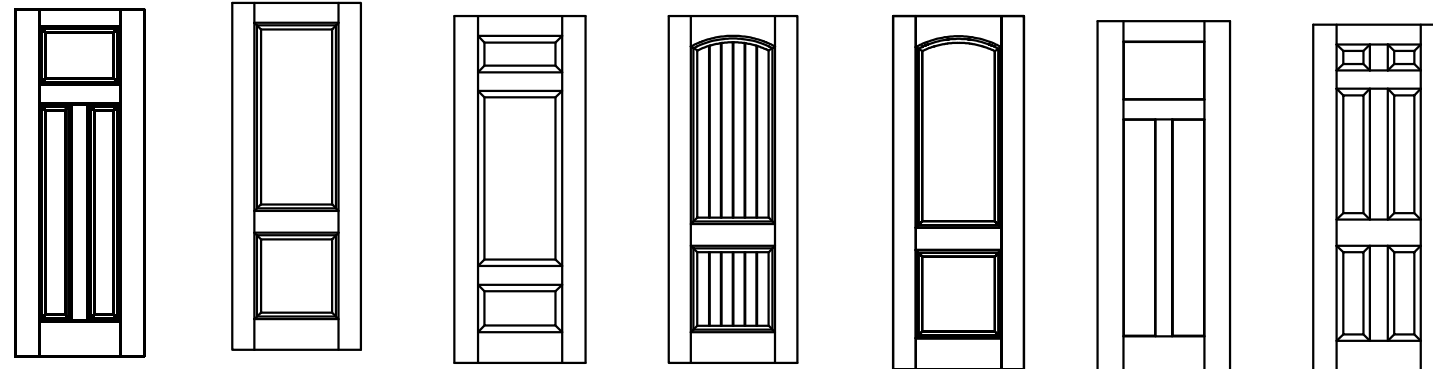
© 2020 R.W. BUILDING CONSULTANTS INC.



SEE HARDWARE CHART



SEE HARDWARE CHART



Classic-Craft Door Panel Options

Panel options shown are for illustration and are representative only (similar opaque panel configurations are allowed)

HARDWARE TABLE	
MANUFACTURER	MODEL
KWIKSET	KNOB: SIGNATURE SERIES DEADBOLT: SIGNATURE SERIES (780)

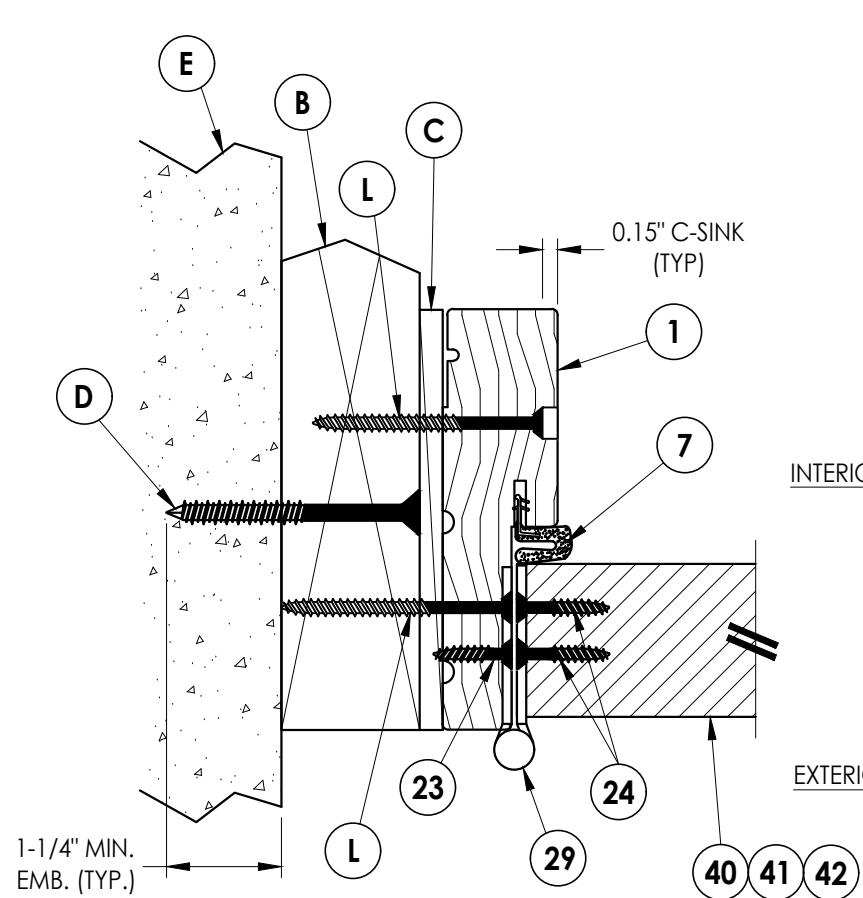
REVISIONS	
NO.	DATE
2	8/08/23
1	7/23/20

DATE: 4/13/20
 SCALE: N.T.S.
 DWG. BY: RW
 CHK. BY: LFS
 DRAWING NO.: FL-23956.6
 SHEET 4 of 13

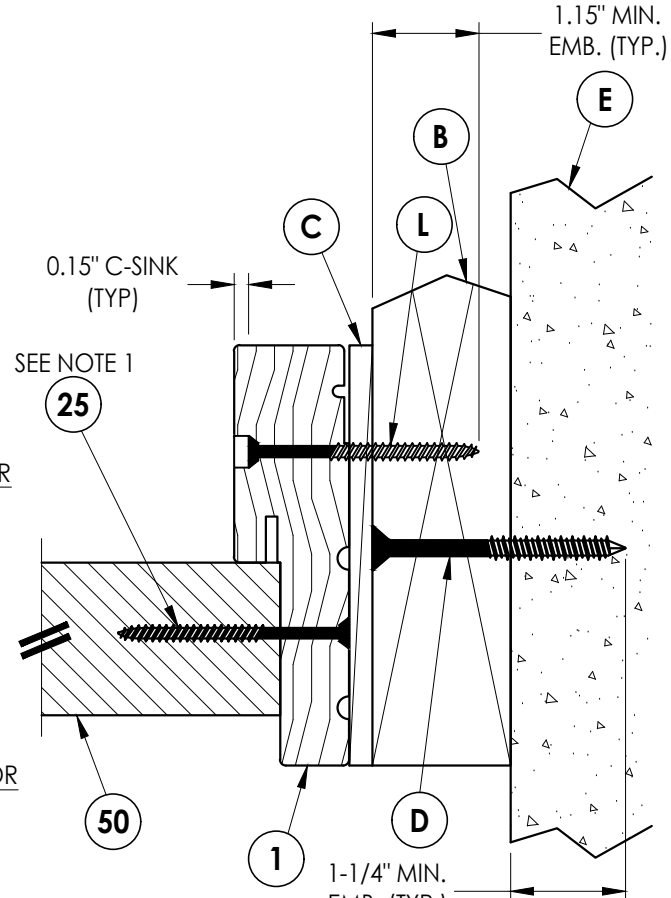
PRODUCT: THERMA-TRU FIBERGLASS DOOR
 PART OR ASSEMBLY: ELEVATIONS

Documents Prepared By:
 Lyndon F. Schmidt
 P.E. No. 43409

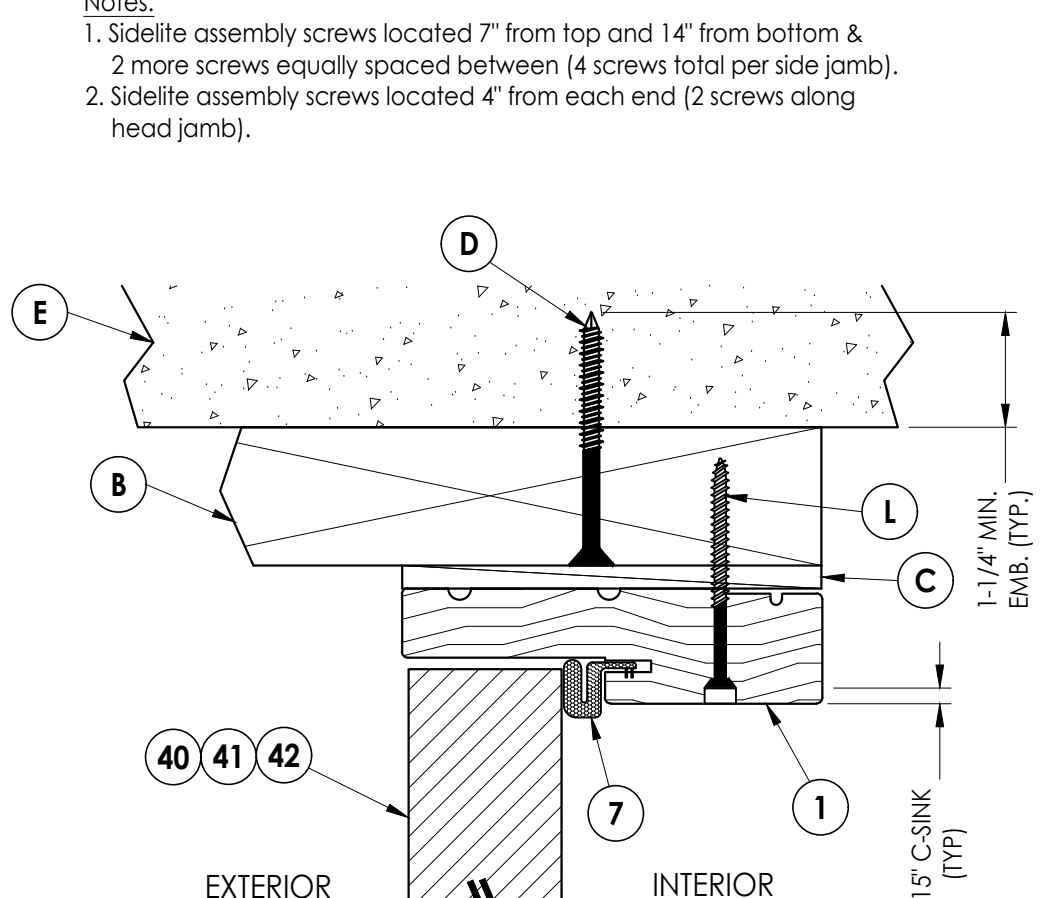
RW BUILDING CONSULTANTS, INC.
 P.O. Box 230, Valrico, FL 33595
 Phone No.: 813.659.9197
 FBPE Registry No. 9813



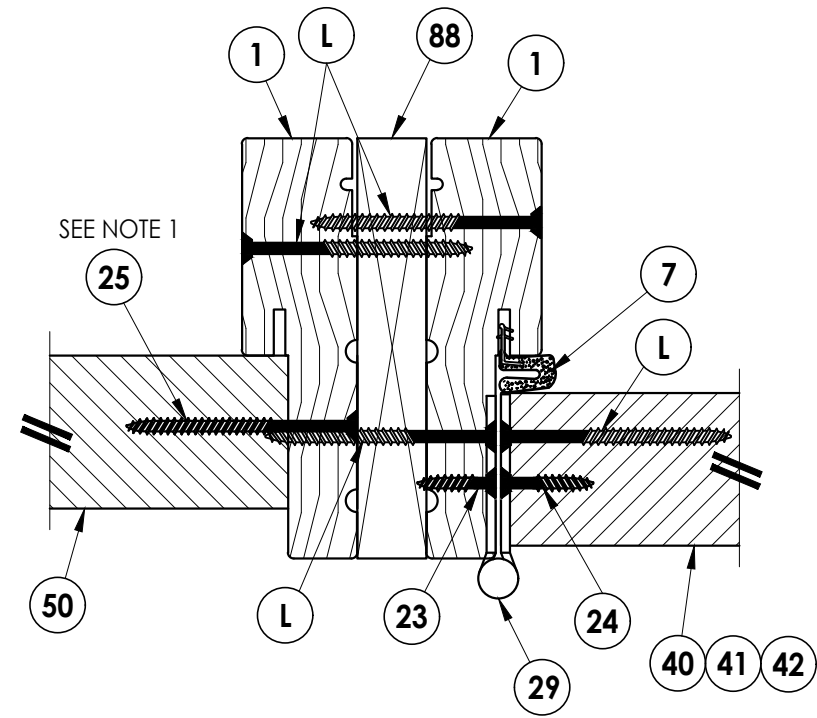
1 HORIZONTAL CROSS SECTION
5 Shown w/ 2X Buck
 Outswing shown (Inswing similar)



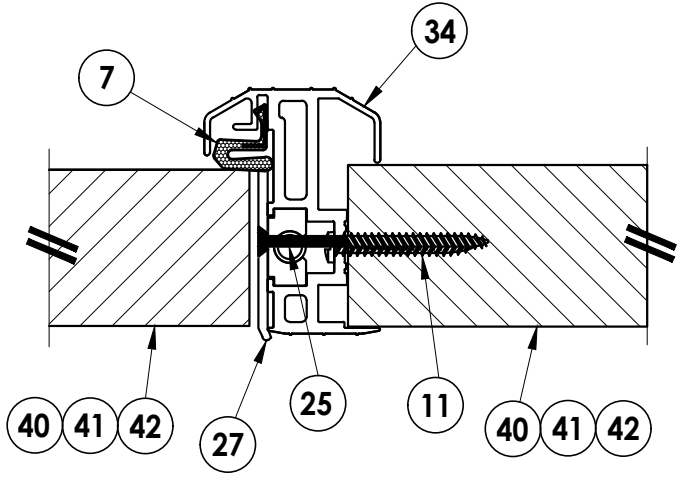
2 HORIZONTAL CROSS SECTION
5 Shown w/ 2X Buck
 Outswing shown (Inswing similar)



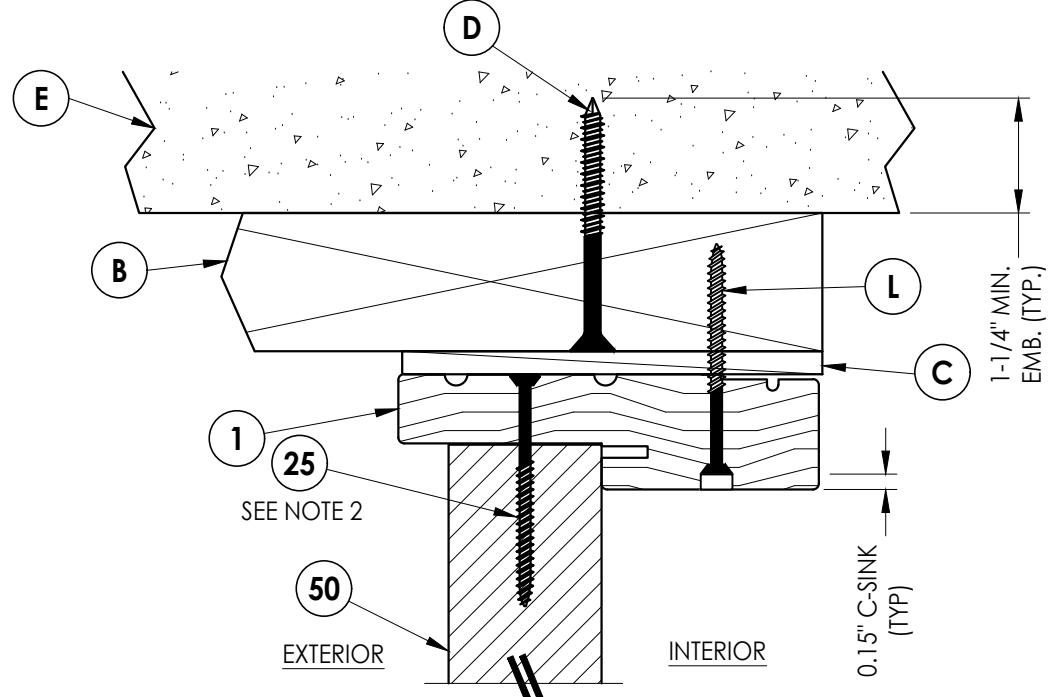
3 VERTICAL CROSS SECTION
5 Shown w/ 2X Buck
 Outswing shown (Inswing similar)



5 HORIZONTAL CROSS SECTION
5



6 HORIZONTAL CROSS SECTION
5



4 VERTICAL CROSS SECTION
5 Shown w/ 2X Buck
 Outswing shown (Inswing similar)

Notes:
 1. Sidelite assembly screws located 7" from top and 14" from bottom & 2 more screws equally spaced between (4 screws total per side jamb).
 2. Sidelite assembly screws located 4" from each end (2 screws along head jamb).

Documents Prepared By:
 Lyndon F. Schmidt
 P.E. No. 43409

RW BUILDING CONSULTANTS, INC.
 P.O. Box 230, Vairico, FL 33595
 Phone No.: 813.659.9197
 FBPE Registry No. 9813

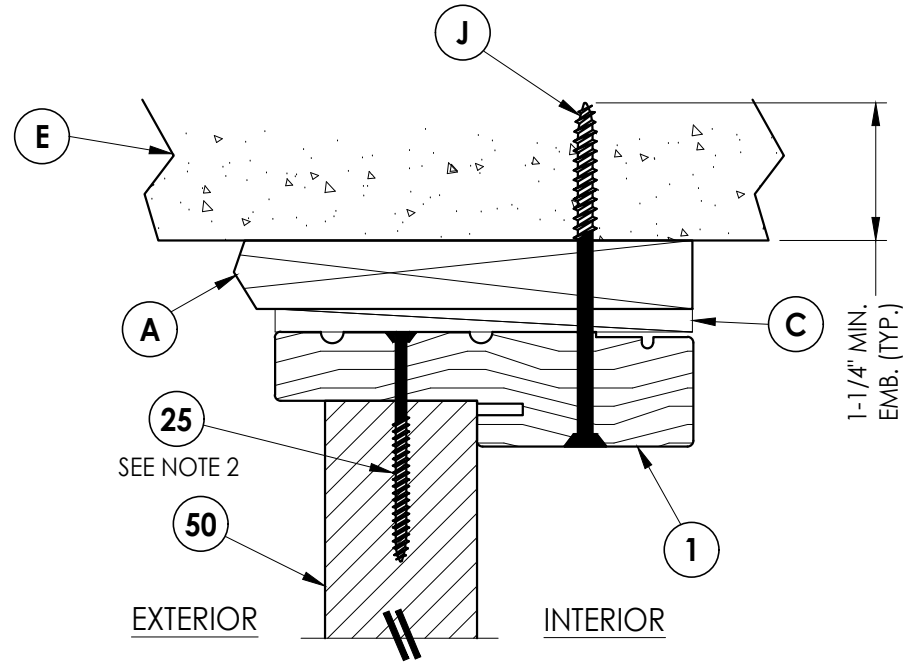
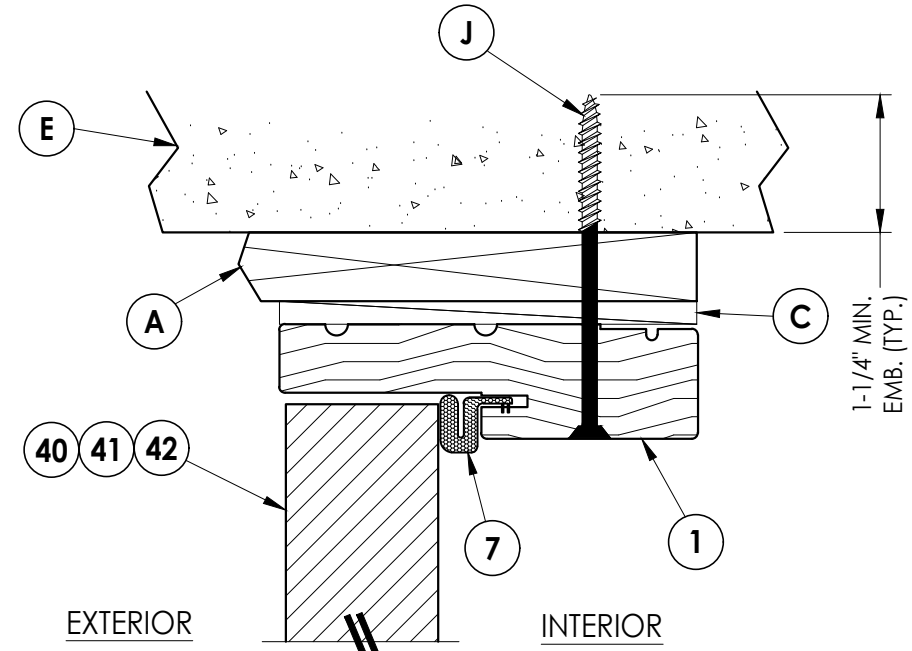
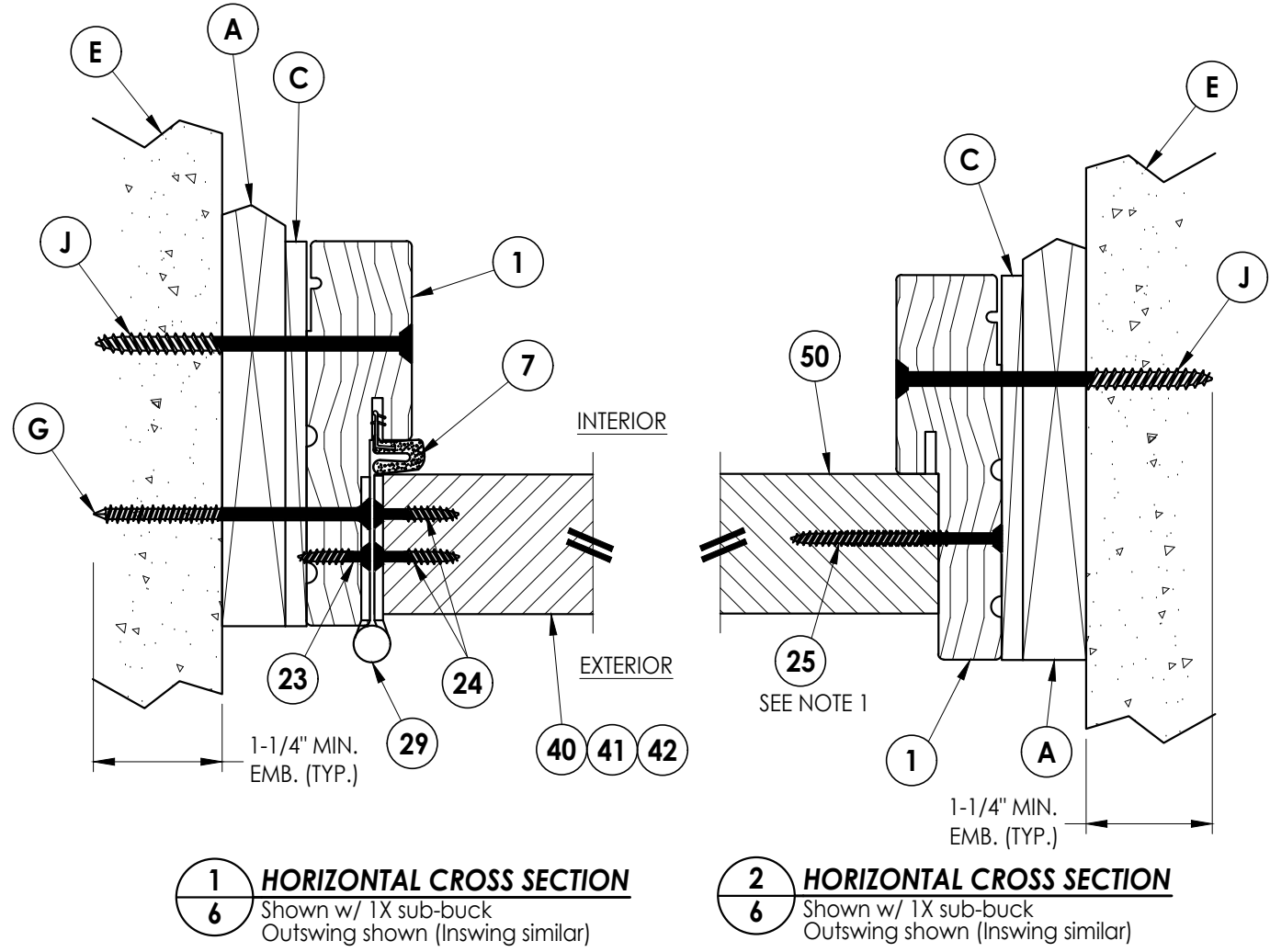
PRODUCT: THERMA-TRU FIBERGLASS DOOR
 PART OR ASSEMBLY: HORIZONTAL & VERTICAL CROSS SECTIONS (2X BUCK)

NO.	DATE	BY
2	8/08/23	LFS
1	7/23/20	LFS

DATE: 4/13/20
 SCALE: N.T.S.
 DWG. BY: RW
 CHK. BY: LFS
 DRAWING NO.: FL-23956.6
 SHEET 5 OF 13

Notes:

- 1. Sidelite assembly screws located 7" from top and 14" from bottom & 2 more screws equally spaced between (4 screws total per side jamb).
- 2. Sidelite assembly screws located 4" from each end (2 screws along head jamb).



Documents Prepared By:
Lyndon F. Schmidt
P.E. No. 43409

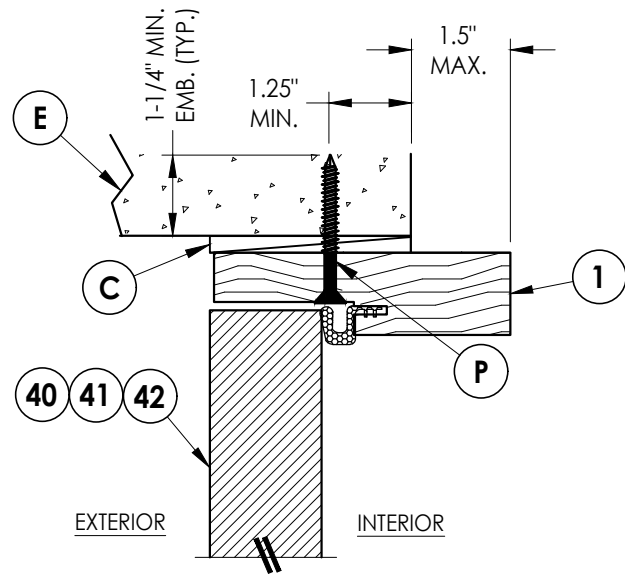
BUILDING CONSULTANTS, INC.
P.O. Box 230, Valrico, FL 33595
Phone No.: 813.659.9197
FBPE Registry No. 9813

PRODUCT: THERMA-TRU
FIBERGLASS DOOR

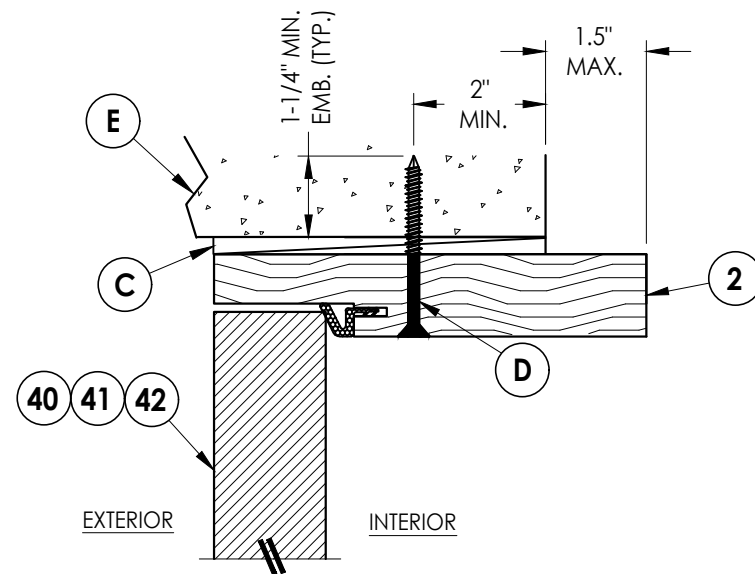
PART OR ASSEMBLY:
HORIZONTAL & VERTICAL
CROSS SECTIONS (1X BUCK)

REVISIONS	
NO.	DATE
2	8/08/23
1	7/23/20

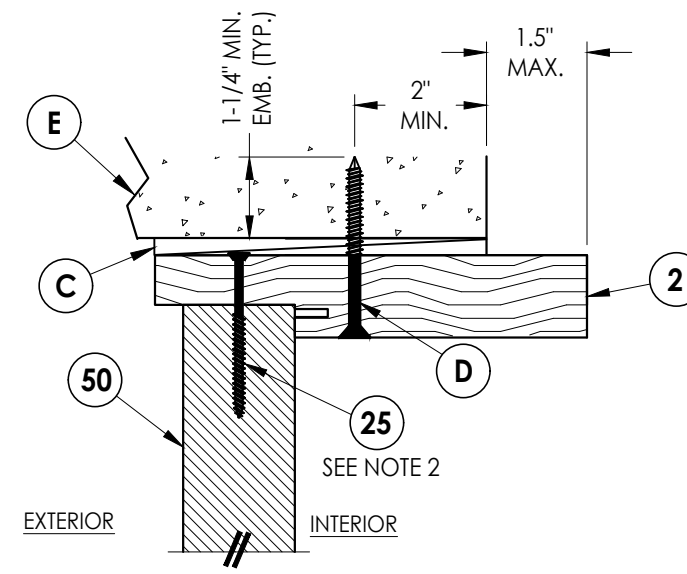
DATE: 4/13/20
SCALE: N.T.S.
DWG. BY: RW
CHK. BY: LFS
DRAWING NO.: FL-23956.6
SHEET 6 OF 13



3 **VERTICAL CROSS SECTION**
7 Shown Direct to Masonry
 Outswing only w/ 4-9/16" jamb
 Double Door Only (N/A w/ Sidelites)



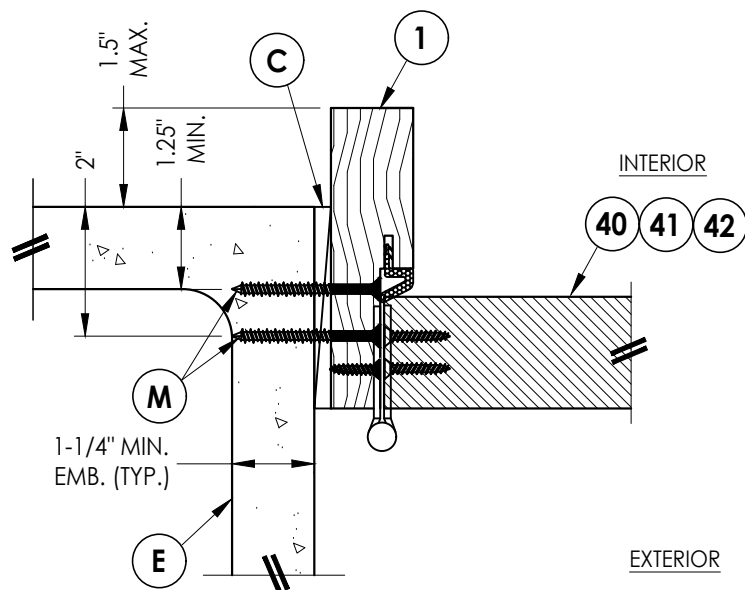
5 **VERTICAL CROSS SECTION**
7 Shown Direct to Masonry
 Outswing only w/ 6-9/16" jamb



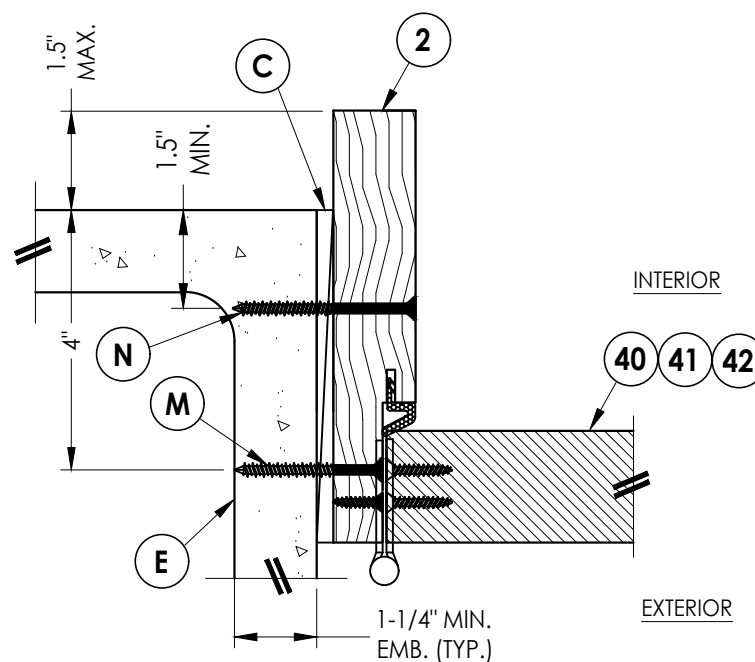
6 **VERTICAL CROSS SECTION**
7 Shown Direct to Masonry
 Outswing only w/ 6-9/16" jamb

Notes:

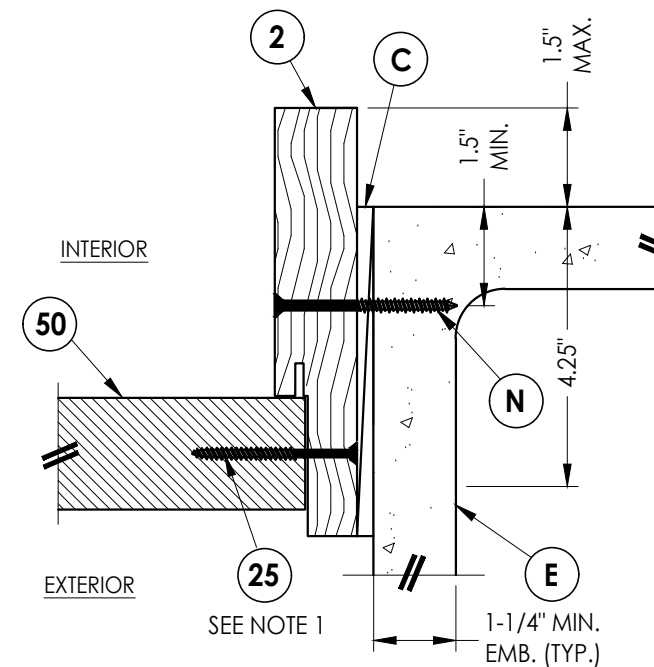
- Sidelite assembly screws located 7" from top and 14" from bottom & 2 more screws equally spaced between (4 screws total per side jamb).
- Sidelite assembly screws located 4" from each end (2 screws along head jamb).



1 **HORIZONTAL CROSS SECTION**
7 Shown Direct to Masonry
 Outswing only w/ 4-9/16" jamb
 Double Door Only (N/A w/ Sidelites)



4 **HORIZONTAL CROSS SECTION**
7 Shown Direct to Masonry
 Outswing only w/ 6-9/16" jamb



2 **HORIZONTAL CROSS SECTION**
7 Shown Direct to Masonry
 Outswing only w/ 6-9/16" jamb

Documents Prepared By:
 Lyndon F. Schmidt
 P.E. No. 43409

RW BUILDING CONSULTANTS, INC.
 P.O. Box 230, Vairico, FL 33595
 Phone No.: 813.659.9197
 LFRBBE Rgistryatt@E9&3 43409

PRODUCT:
 THERMA-TRU
 FIBERGLASS DOOR

PART OR ASSEMBLY:
 HORIZONTAL & VERTICAL
 SECTIONS (DIRECT TO MASONRY)

REVISIONS	
NO.	DATE
2	8/08/23 UPDATE TO 8TH ED. (2023) FBC LFS
1	7/23/20 UPDATE TO 7TH ED (2020) FBC LFS
	BY

DATE: 4/13/20

SCALE: N.T.S.

DWG. BY: RW

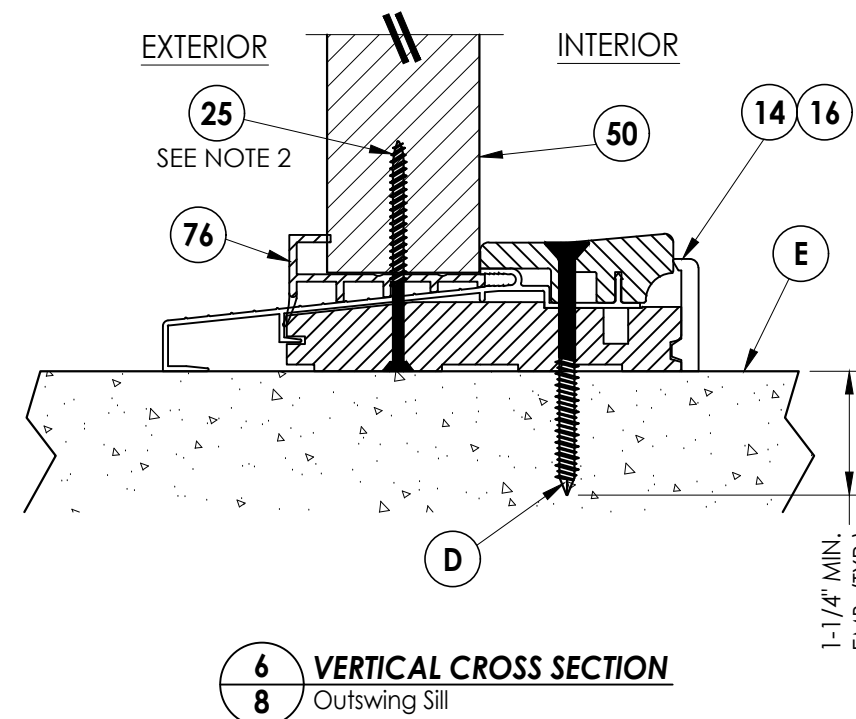
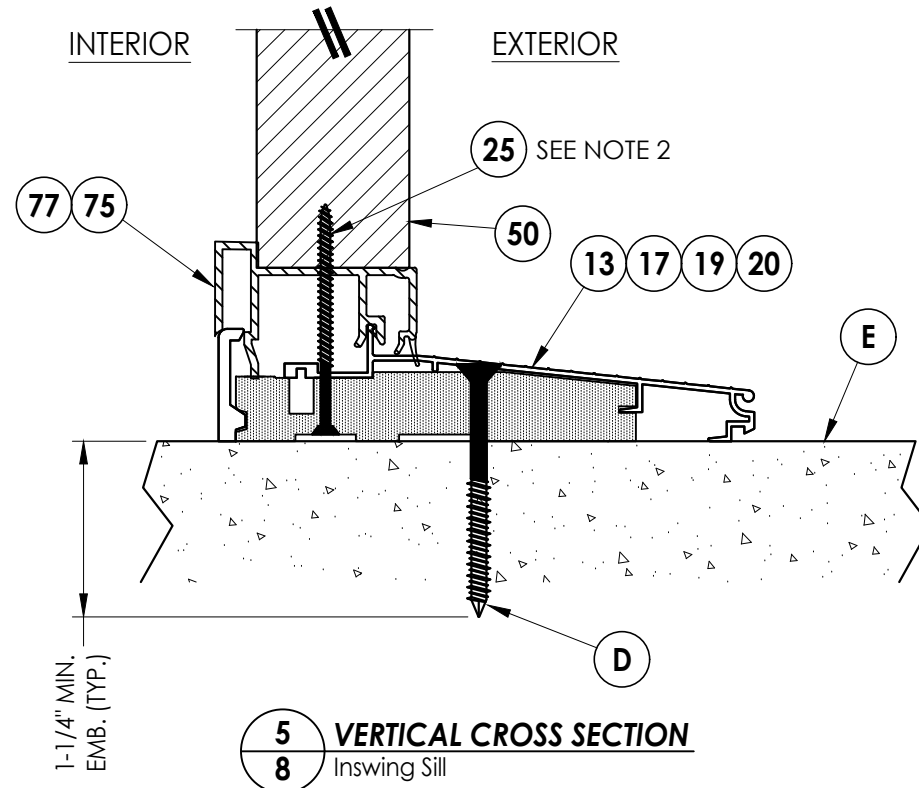
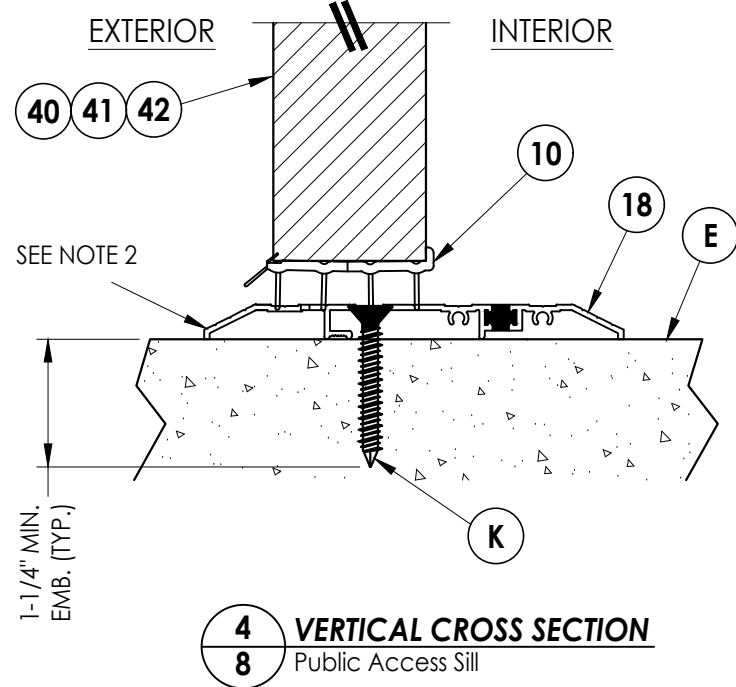
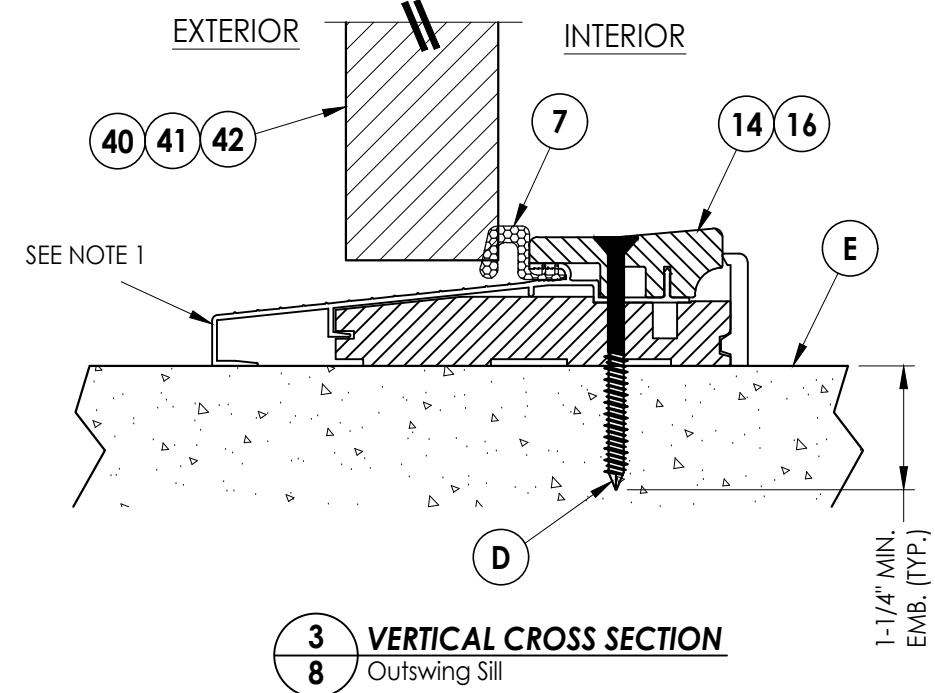
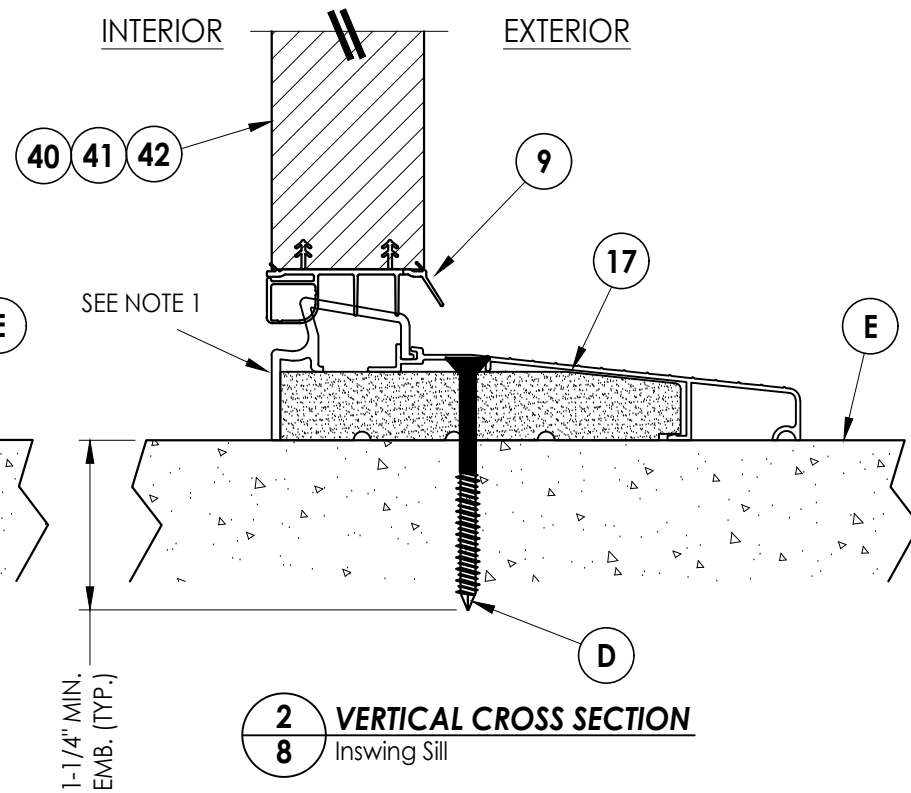
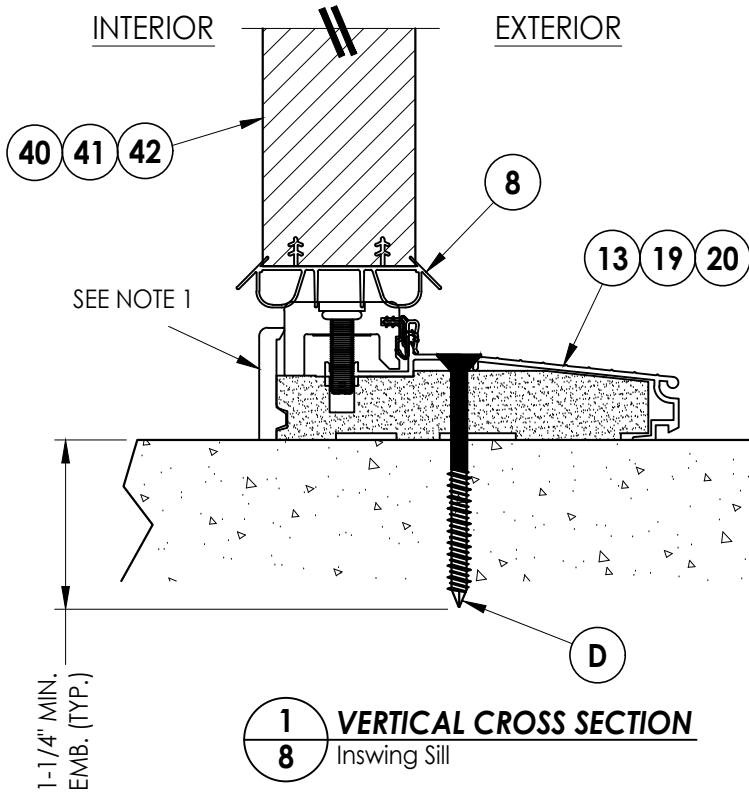
CHK. BY: LFS

DRAWING NO.:
 FL-23956.6

SHEET 7 OF 13

Notes:

- Sill Item #'s 13, 16, 17, 19 & 20 are attached to jambs w/ (3) #8 X 2-1/2" pph screws at each end.
Sill Item # 14 is attached to jambs w/ (2) #8 X 2-1/2" pph screws at each end.
Sill Item # 18 is attached to jambs utilizing (4) #10 X 1-1/2" pph screws at each end.
- Sidelite assembly screws located 4" from each end (2 screws total along sill).



Documents Prepared By:
Lyndon F. Schmidt
P.E. No. 43409

RW BUILDING CONSULTANTS, INC.
P.O. Box 230, Valrico, FL 33595
Phone No.: 813.659.9197
FBPE Registry No. 9813

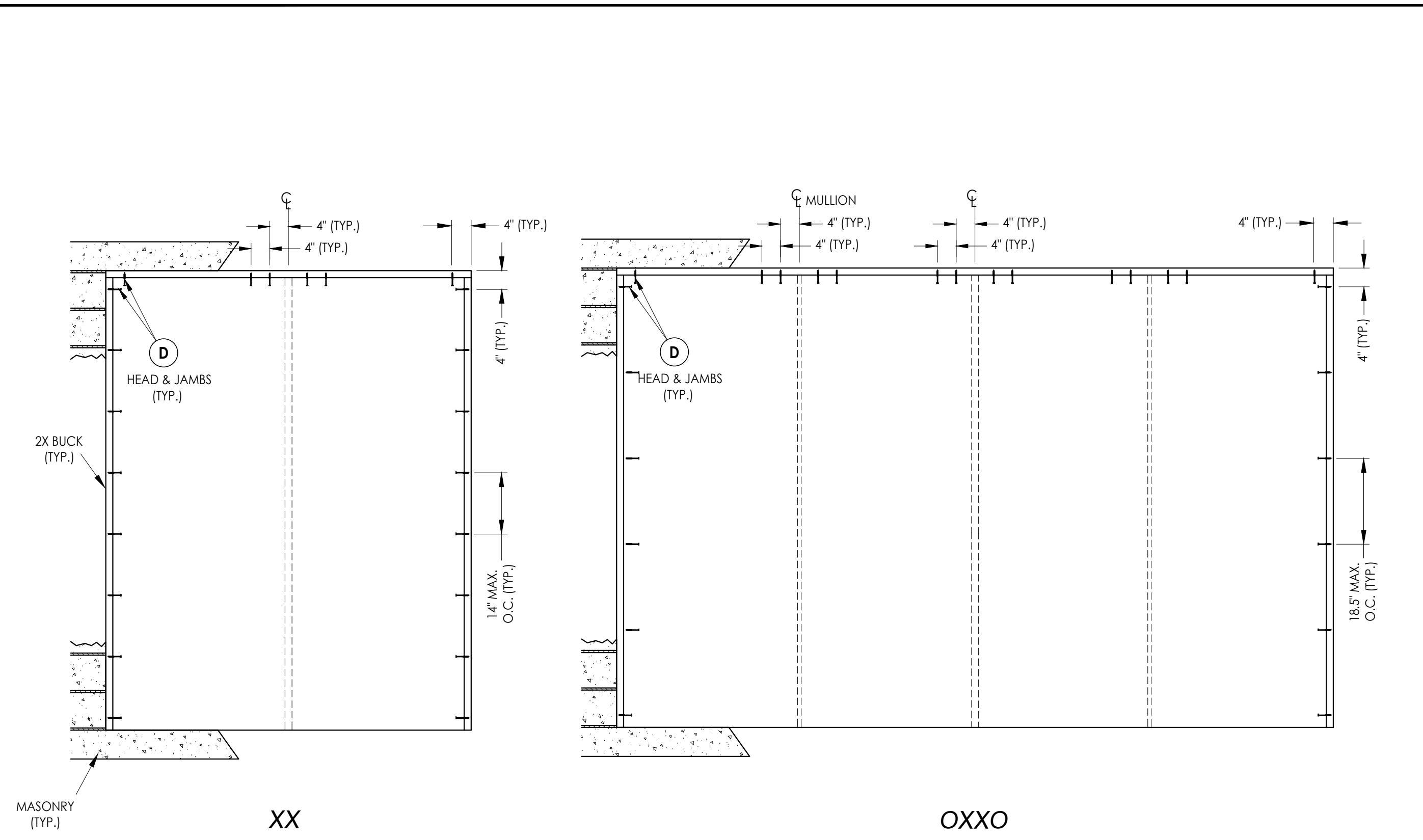
PRODUCT:
THERMA-TRU
FIBERGLASS DOOR

PART OR ASSEMBLY:
VERTICAL CROSS
SECTIONS (THRESHOLDS)


NO.	DATE	BY	REVISIONS
2	8/08/23	LFS	UPDATE TO 8TH ED. (2023) FBC
1	7/23/20	LFS	UPDATE TO 7TH ED (2020) FBC

DATE: 4/13/20
SCALE: N.T.S.
DWG. BY: RW
CHK. BY: LFS
DRAWING NO.: FL-23956.6
SHEET 8 OF 13

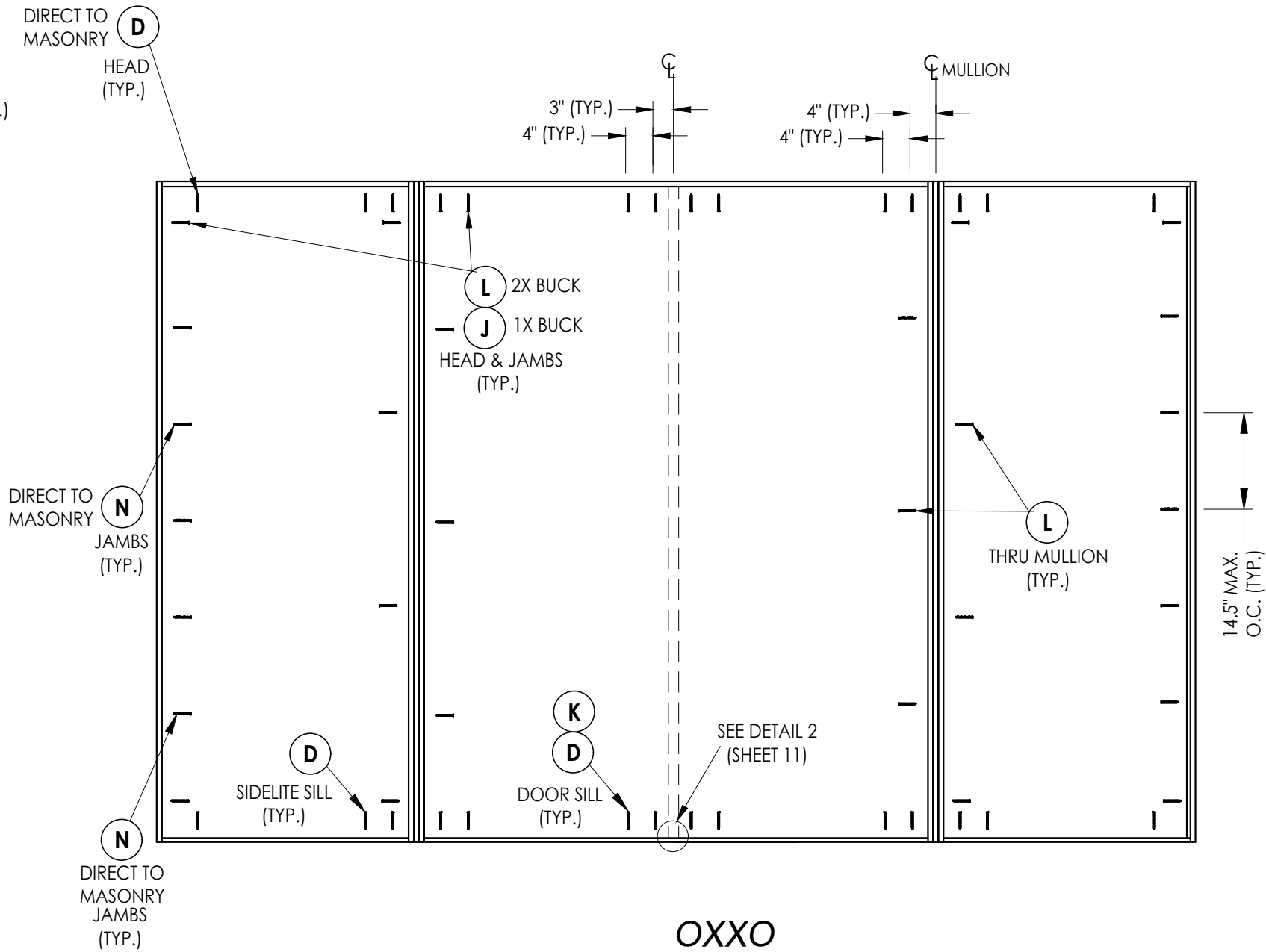
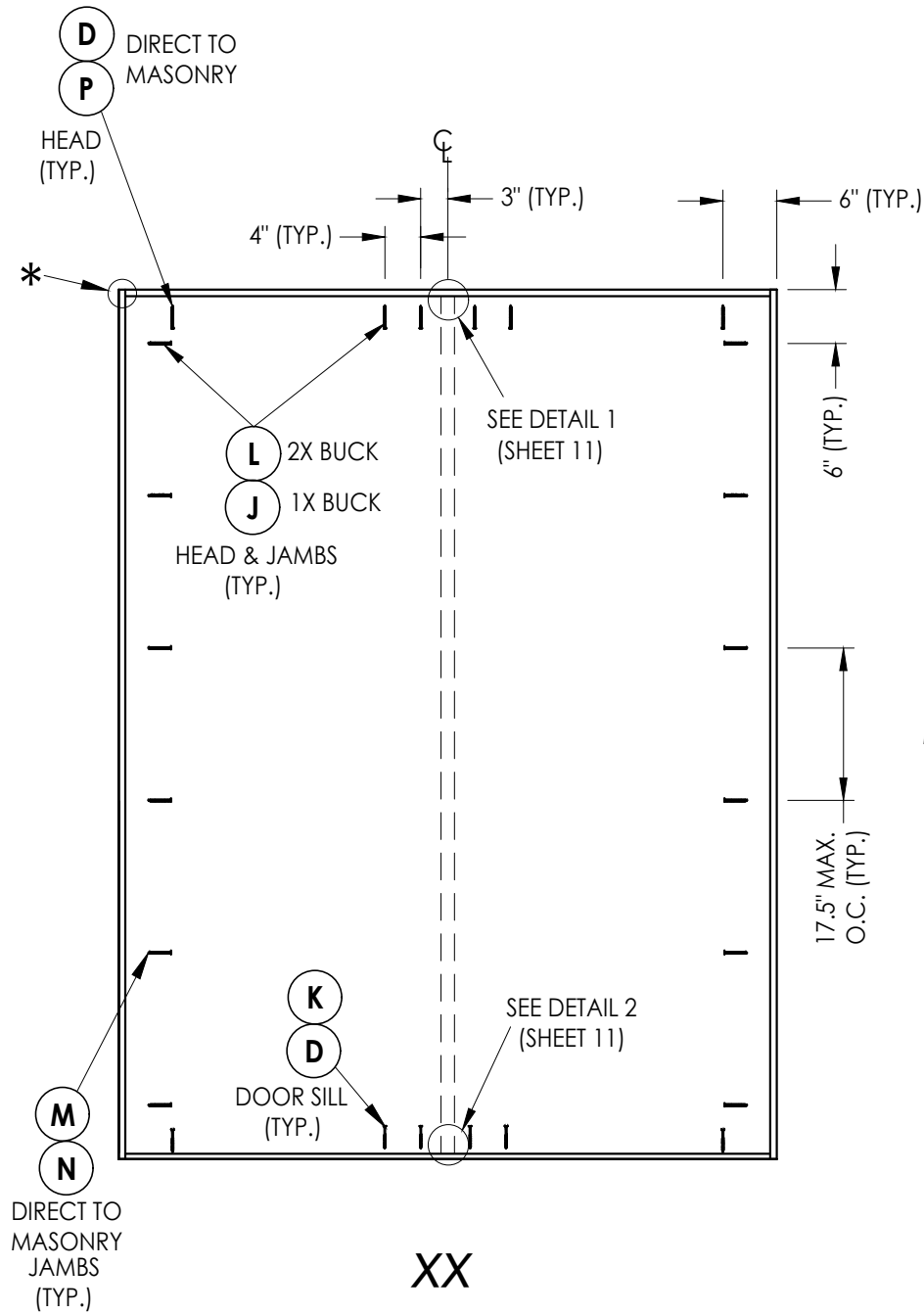
Z:\2023 FBC Drawings\Therma-Tru\FL-23956 R2\FL-23956.4-6.dwg



2X BUCK ANCHORING

Documents Prepared By: Lyndon F. Schmidt P.E. No. 43409		 BUILDING CONSULTANTS, INC. P.O. Box 230, Valrico, FL 33595 Phone No.: 813.659.9197 FBPE Registry No. 9813	
PRODUCT: THERMA-TRU FIBERGLASS DOOR		PART OR ASSEMBLY: BUCK ANCHORING	
		LFS	BY
2	8/08/23	UPDATE TO 8TH ED. (2023)	FBC
1	7/23/20	UPDATE TO 7TH ED. (2020)	FBC
NO	DATE		
REVISIONS			
DATE: 4/13/20			
SCALE: N.T.S.			
DWG. BY: RW			
CHK. BY: LFS			
DRAWING NO.: FL-23956.6			
SHEET 9 OF 13			

* NOTE: FRAME CORNERS @ HEAD ATTACHED TOGETHER w/ (3) #8 X 2-1/2" PFH WS (TYP.)



FRAME ANCHORING

Documents Prepared By:
Lyndon F. Schmidt
P.E. No. 43409

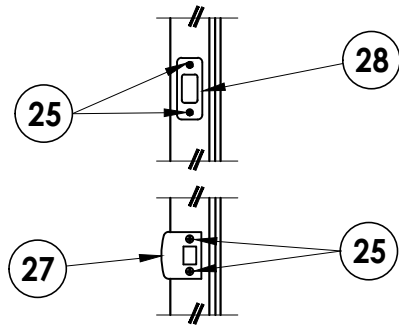
RW BUILDING CONSULTANTS, INC.
P.O. Box 230, Vairico, FL 33595
Phone No.: 813.659.9197
FBPE Registry No. 9813

PRODUCT: THERMA-TRU
FIBERGLASS DOOR

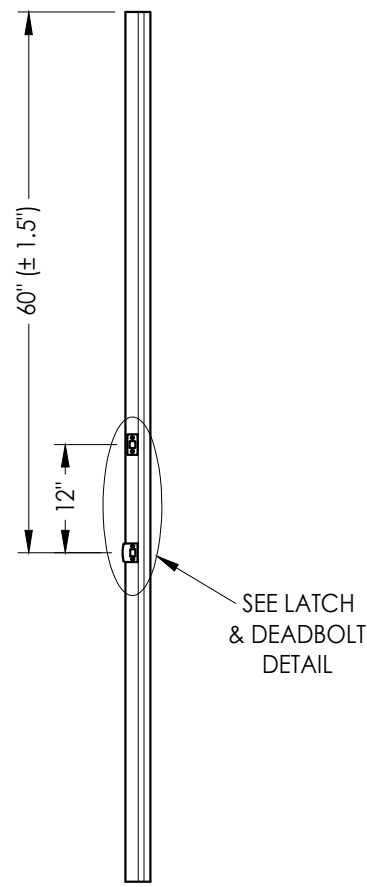
PART OR ASSEMBLY:
FRAME ANCHORING

NO.	DATE	BY
2	8/08/23	LFS
1	7/23/20	LFS

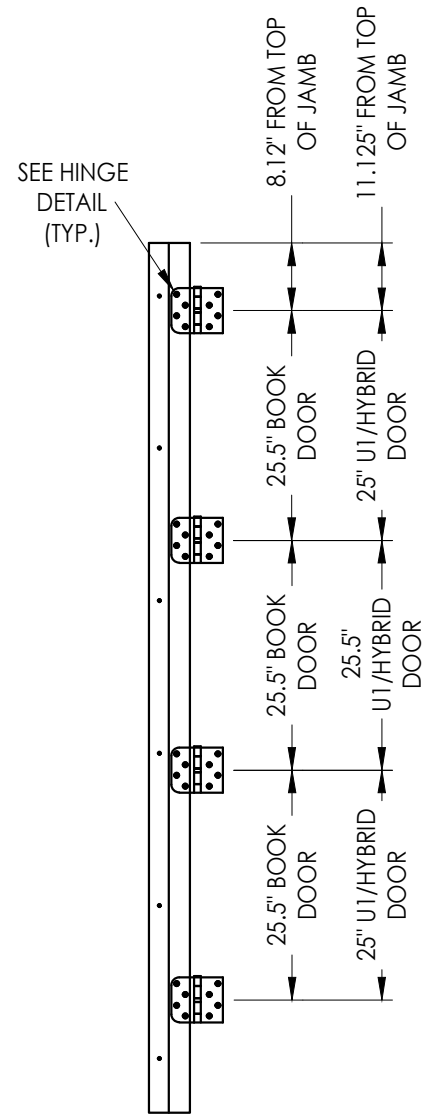
DATE: 4/13/20
SCALE: N.T.S.
DWG. BY: RW
CHK. BY: LFS
DRAWING NO.: FL-23956.6
SHEET 10 OF 13



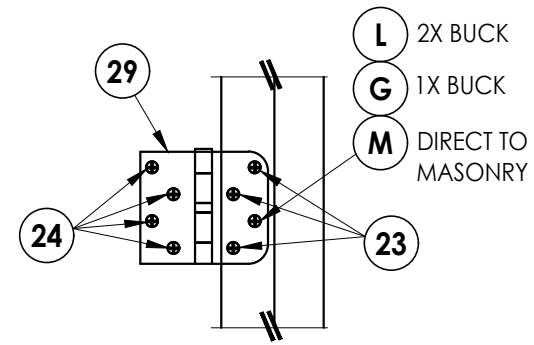
LATCH & DEADBOLT DETAIL



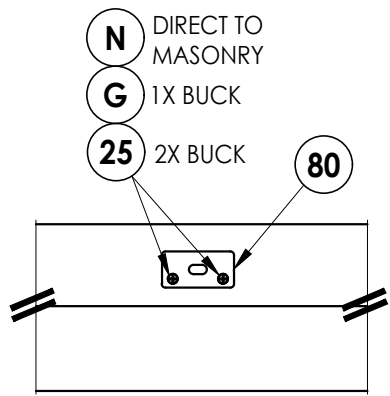
ASTRAGAL
Latch & Deadbolt



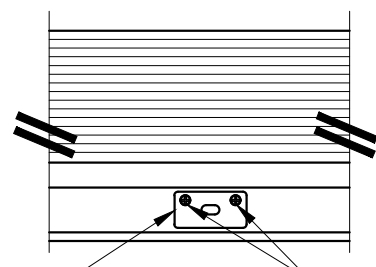
HINGE JAMB



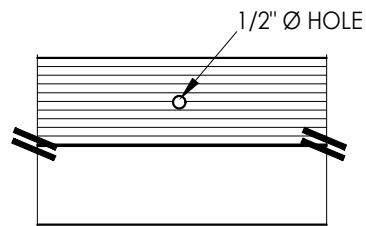
HINGE DETAIL



DETAIL 1
Coastal Astragal Strike Plate @ Head



DETAIL 2
Inswing
Coastal Astragal Strike Plate @ Sill



DETAIL 2
Outswing
Astragal Bolt Hole @ Sill

LATCH & DEADBOLT STRIKE DETAILS

Documents Prepared By:
Lyndon F. Schmidt
P.E. No. 43409

RW BUILDING CONSULTANTS, INC.
P.O. Box 230, Vairico, FL 33595
Phone No.: 813.659.9197
FBPE Registry No. 9813

PRODUCT:
THERMA-TRU
FIBERGLASS DOOR

PART OR ASSEMBLY:
HARDWARE DETAILS

NO.	DATE	REVISIONS
2	8/08/23	UPDATE TO 8TH ED. (2023) FBC LFS
1	7/23/20	UPDATE TO 7TH ED (2020) FBC LFS
		BY

DATE: 04/13/20

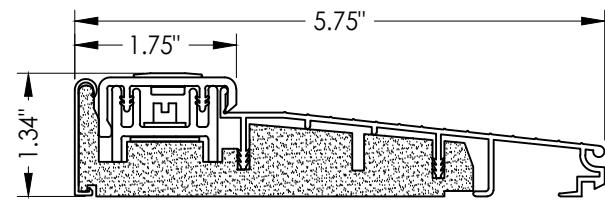
SCALE: N.T.S.

DWG. BY: RW

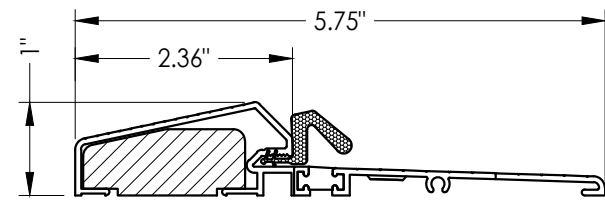
CHK. BY: LFS

DRAWING NO.:
FL-23956.6

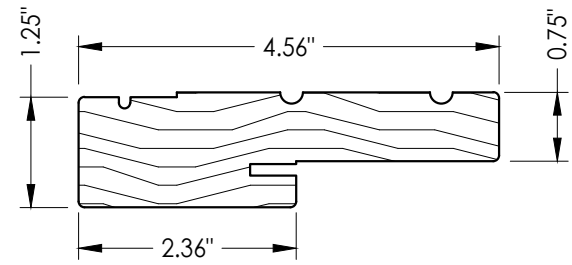
SHEET 11 of 13



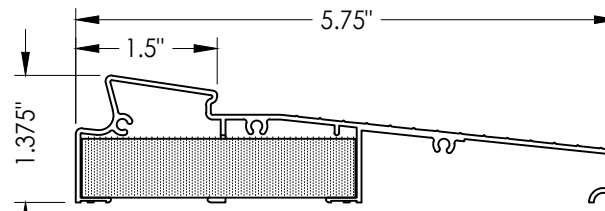
13 INSWING THRESHOLD
Adjustable



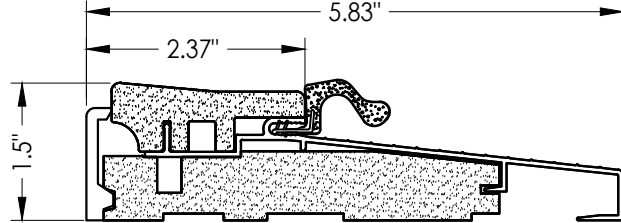
14 OUTSWING THRESHOLD



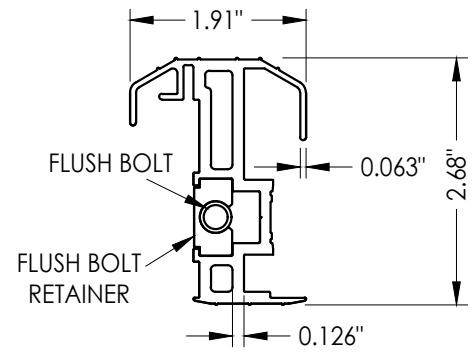
1 WOOD JAMB



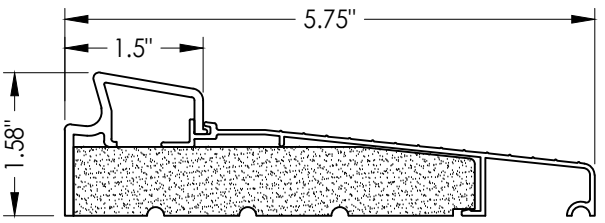
15 INSWING THRESHOLD
Moderate Climate



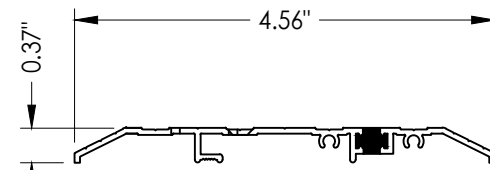
16 OUTSWING THRESHOLD



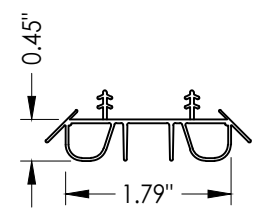
34 COASTAL ALUMINUM ASTRAGAL



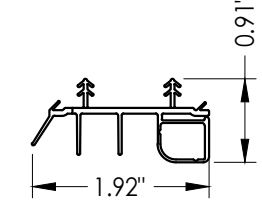
17 INSWING THRESHOLD
Basic Fixed



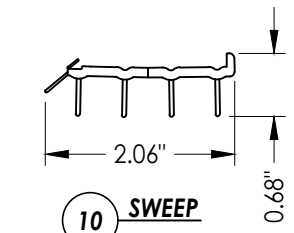
18 PUBLIC ACCESS THRESHOLD



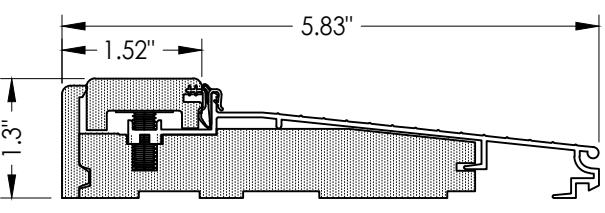
8 SWEEP



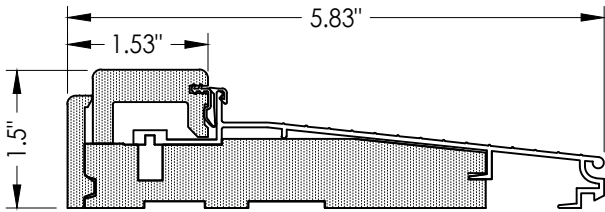
9 SWEEP



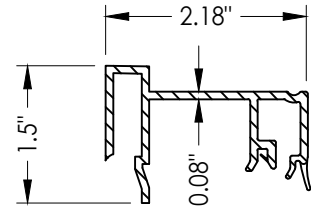
10 SWEEP



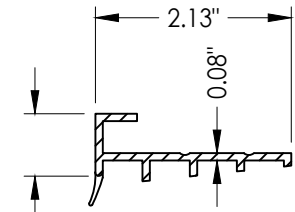
19 INSWING THRESHOLD
Adjustable



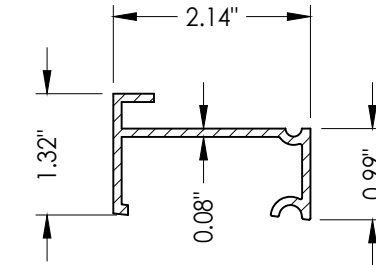
20 INSWING THRESHOLD
Adjustable



75 SIDELITE SPACER
Inswing



76 SIDELITE SPACER
Outswing



77 INSWING SIDELITE
Adapter
Moderate Climate Sill

Documents Prepared By:
Lyndon F. Schmidt
P.E. No. 43409

RW BUILDING CONSULTANTS, INC.
P.O. Box 230, Valrico, FL 33595
Phone No.: 813.659.9197
FBPE Registry No. 9813

PRODUCT:
THERMA-TRU
FIBERGLASS DOOR

PART OR ASSEMBLY:

COMPONENTS

NO.	DATE	REVISIONS
2	8/08/23	UPDATE TO 8TH ED. (2023) FBC LFS
1	7/23/20	UPDATE TO 7TH ED (2020) FBC LFS
		BY

DATE:	4/13/20
SCALE:	N.T.S.
DWG. BY:	RW
CHK. BY:	LFS
DRAWING NO.:	FL-23956.6
SHEET	12 OF 13

BILL OF MATERIALS		
ITEM #	DESCRIPTION	MATERIAL
A	1X BUCK (SG >= 0.42)	WOOD
B	2X BUCK (SG >= 0.42)	WOOD
C	1/4" MAX. SHIM SPACE	-
D	1/4" X 2-3/4" PFH DeWALT OR ITW CONCRETE SCREW	STEEL
E	MASONRY - 3,000 PSI MIN. CONCRETE CONFORMING TO ACI 301 OR HOLLOW BLOCK CONFORMING TO ASTM C90	CONCRETE
F	#10 X 2" PFH WOOD SCREW	STEEL
G	3/16" X 3-1/4" PFH ITW CONCRETE SCREW	STEEL
J	1/4" X 3-3/4" PFH DeWALT OR ITW CONCRETE SCREW	STEEL
K	1/4" X 1-3/4" PFH DeWALT OR ITW CONCRETE SCREW	STEEL
L	#10 X 2-1/2" PFH WOOD SCREW (1.15" MIN. EMBEDMENT)	STEEL
M	3/16" X 2-1/4" PFH ITW CONCRETE SCREW	STEEL
1	JAMB (FINGER JOINT PINE)	WOOD
7	WEATHERSTRIP	FOAM
8	SWEEP	VINYL
9	SWEEP (USE w/ MODERATE CLIMATE THRESHOLD)	VINYL
10	SWEEP (USE w/ PUBLIC ACCESS THRESHOLD)	VINYL
13	INSWING THRESHOLD	ALUM/COMP
14	OUTSWING THRESHOLD	ALUM/COMP
15	INSWING THRESHOLD	ALUM/COMP
16	OUTSWING THRESHOLD	ALUM/COMP
17	INSWING THRESHOLD	ALUM/COMP
18	PUBLIC ACCESS THRESHOLD	ALUM
19	INSWING THRESHOLD	ALUM/COMP
20	INSWING THRESHOLD	ALUM/COMP
23	#10 X 3/4" PFH WOOD SCREW	STEEL
24	#10 X 1" PFH WOOD SCREW	STEEL
25	#8 X 2-1/2" PFH WOOD SCREW	STEEL
27	LATCH STRIKE PLATE	STEEL
28	DEADBOLT STRIKE PLATE	STEEL
29	4" X 4" HINGE	STEEL
34	COASTAL ALUMINUM ASTRAGAL	ALUM
40	DOOR PANEL (BOOK DOOR)	-
41	DOOR PANEL (HYBRID DOOR)	-
42	DOOR PANEL (U1 DOOR)	-
50	14" SIDELITE PANEL	-
75	SIDELITE SPACER (INSWING)	PVC
76	SIDELITE SPACER (OUTSWING)	PVC
77	SIDELITE SPACER (INSWING) - Moderate Climate Sill	PVC
80	COASTAL ASTRAGAL STRIKE PLATE	STEEL
88	1X REINFORCEMENT (SG >= 0.55)	WOOD

CONCRETE ANCHOR NOTES:

- Concrete anchor locations at the corners may be adjusted to maintain the min. edge distance to mortar joints.
- Concrete anchor locations noted as "MAX. ON CENTER" must be adjusted to maintain the min. edge distance to mortar joints, additional concrete anchors may be required to ensure the "MAX. ON CENTER" dimension are not exceeded.
- Concrete anchor table:

ANCHOR TYPE	ANCHOR SIZE	MIN. EMBEDMENT	MIN. CLEARANCE TO MASONRY EDGE	MIN. CLEARANCE TO ADJACENT ANCHOR
ITW TAPCON®	1/4"	1-1/4"	2"	4"
DeWALT ULTRACON+®	1/4"	1-1/4"	1"	4"
ITW TAPCON®	3/16"	1-1/4"	AS SHOWN	1-1/2"

WOOD SCREW INSTALLATION NOTES:

- Maintain a minimum 5/8" edge distance, 1" end distance, & 1" o.c. spacing of wood screws to prevent the splitting of wood.

Documents Prepared By:
Lyndon F. Schmidt
P.E. No. 43409

RW BUILDING CONSULTANTS, INC.
P.O. Box 230, Vairico, FL 33595
Phone No.: 813.659.9197
FBPE Registry No. 9813

PRODUCT:
THERMA-TRU
FIBERGLASS DOOR

PART OR ASSEMBLY:
BILL OF MATERIALS

NO.	DATE	BY	REVISIONS
2	8/08/23	LFS	UPDATE TO 8TH ED. (2023) FBC
1	7/23/20	LFS	UPDATE TO 7TH ED. (2020) FBC

DATE: 4/13/20
SCALE: N.T.S.
DWG. BY: RW
CHK. BY: LFS
DRAWING NO.: FL-23956.6
SHEET 13 OF 13